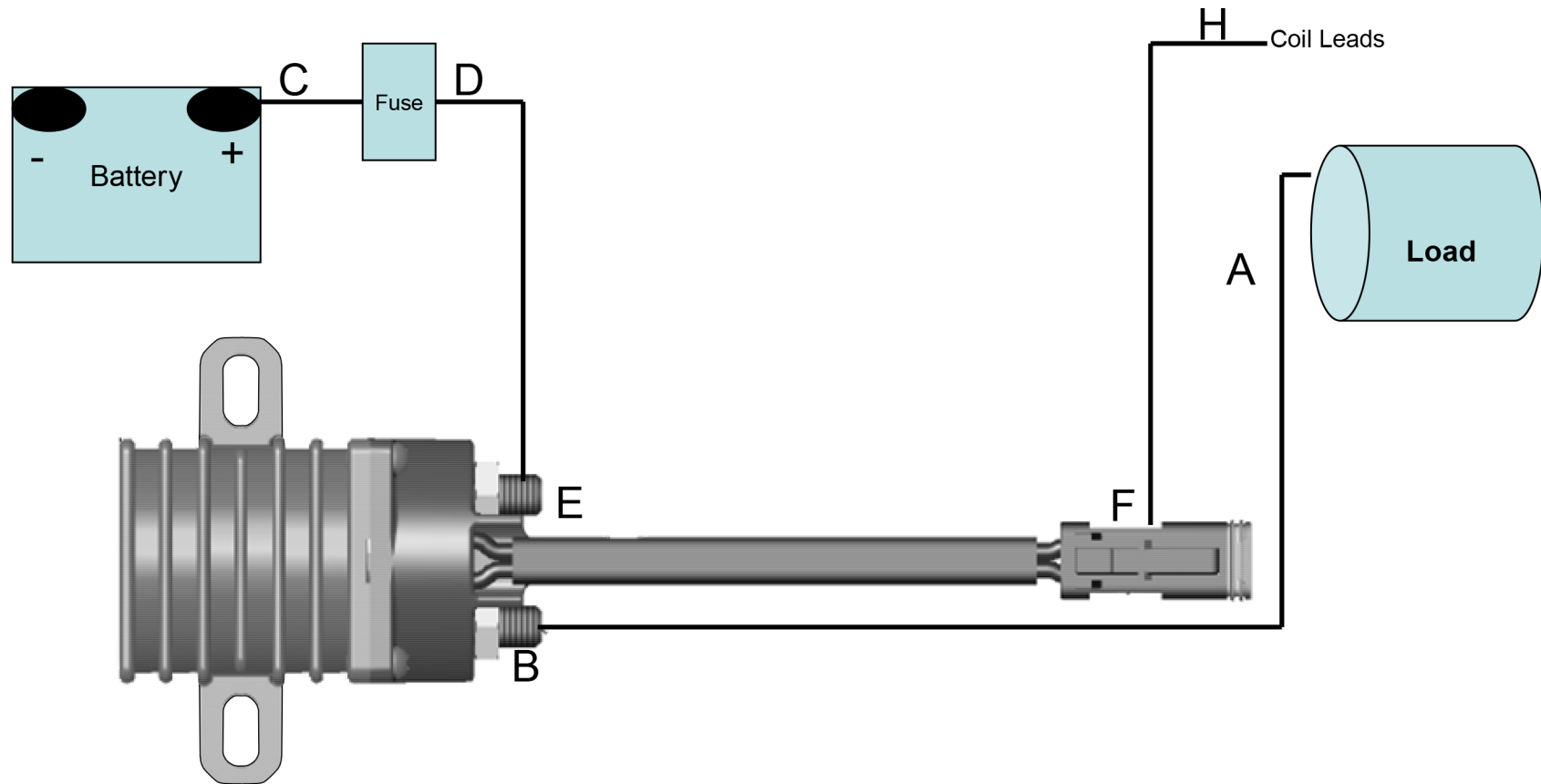




MurCal Inc.
41343 12th Street West
Palmdale, CA 93551
(661) 272-4700
sales@murcal.com
www.murcal.com



Installing Defender Contactor



Mounting Instructions

1. Select a desired mounting location
2. Using the contactor as a template, mark the centers of the mounting holes.
3. Using a 1/4" drill bit, drill the holes marked in the previous step.
4. Mount the contact using 1/4" bolts and nuts.
5. Wire the relay according to the wiring diagram
6. Torque connections E and B to 45 in/lbs

Wiring Diagram

1. Connect Load (A) to stud (B)
2. Connect battery positive (C) to fuse (D)
3. Connect fuse (D) to stud (E)
4. Connect deutch connector DT06-2S-EP06 (F) to coil leads (H)