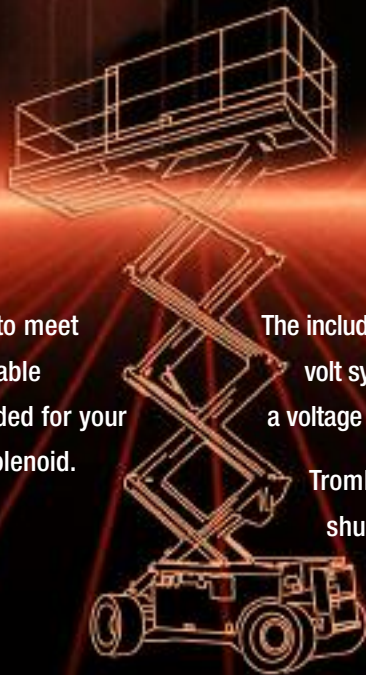


Cable Kit Family

*“Flexible Locations.
Rigid Standards.”*



The Cable Kit Family can be adjusted to meet your application – simply attach the cable to the load and setting the stroke needed for your application with the adjustor on the solenoid.

The included electronic controller works in both 12 & 24 volt systems. The controller is rated to operate over a voltage range of 8-30v with the appropriate solenoid.

Trombetta's Cable Kits are used for fuel shut-off, throttle control, compression release, compressors, and generators.

TROMBETTA 

Engineering Excellence. Worldwide Competitiveness.

Cable Kit Family (Patented)

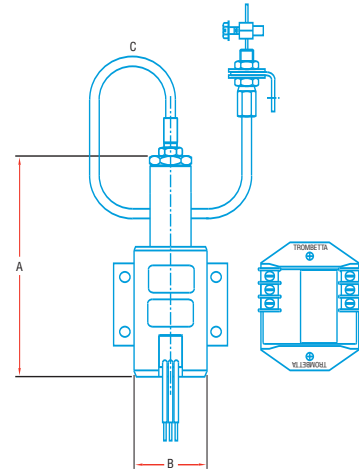
Cable Kit Family

Series	Max Stroke	Max Force	A Inches [mm]	B Inches [mm]	C Inches [mm]
P613-K	1 1/2	20	6.10 [154.9]	2.00 [50.8]	Length variable

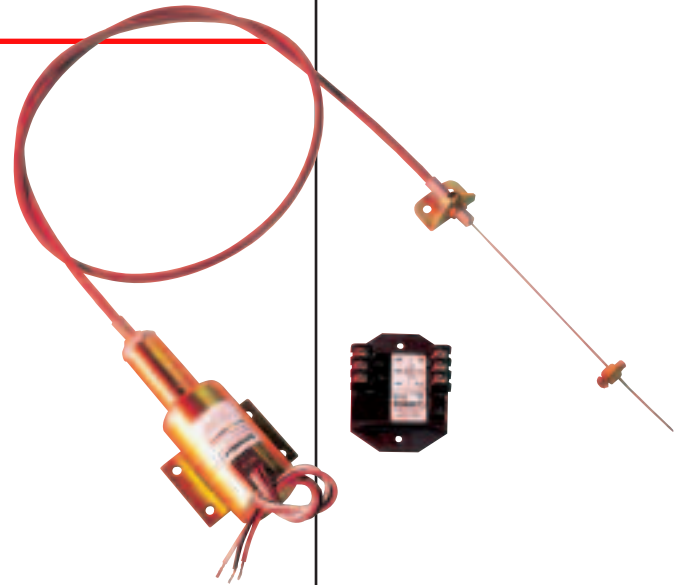
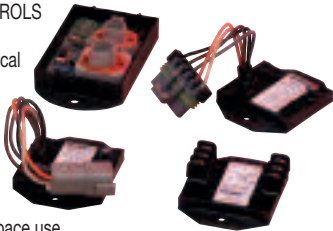
General Specifications

Series	Pull Current Amps	Hold Current Amps	Pull Force At 68° F (20° C)	Hold Force At 68° F (20° C)
P613-K 12 Volt	68	0.9	20 lbs (89 Newtons)	40 lbs (178 Newtons)
P613-K 24 Volt	36	.48	20 lbs (89 Newtons)	40 lbs (178 Newtons)

Series	Max Ambient (Solenoid)	Max Coil	Max Solenoid Cycle Rate
P613-K 12 Volt	68	0.9	20 lbs (89 Newtons)
P613-K 24 Volt	36	.48	20 lbs (89 Newtons)



TROMBETTA SOLENOID CONTROLS
Trombetta Electronic Controls regulate the magnitude of electrical drive applied to the coil during the pull-in and hold operation of the solenoid to optimize the performance of the solenoid. Using solenoid controls can show the benefit of employing smaller solenoids, maximizing space use.



CALL MURCAL TO PLACE YOUR ORDER

P:(661)272-4700 F:(661)947-7570

www.murcal.com

e-mail: sales@murcal.com



TROMBETTA

www.trombetta.com