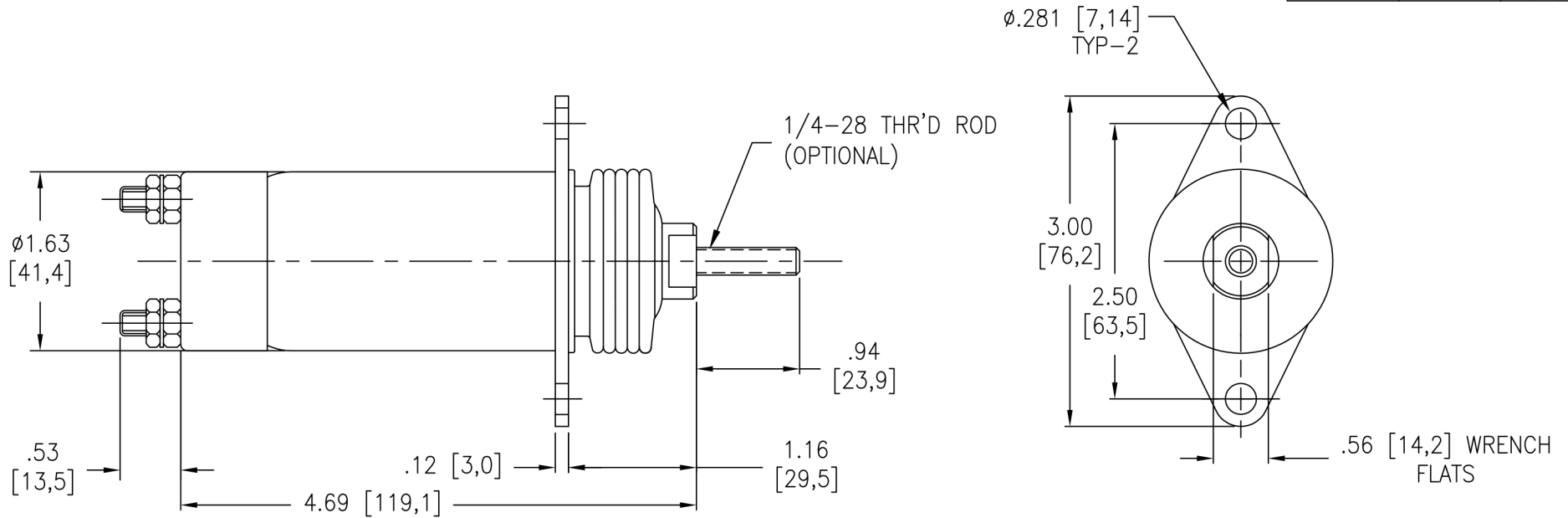




D610 SERIES		
Abbreviated Specifications & Dimensions		
W-D610-07001		
Revision A	ECN 3599	10/10/00



SHOWN ENERGIZED

Model #	Net Pull Force (lbs./newtons)	Net Hold Force (lbs./newtons)	Max. Stroke (inch [mm])	Voltage	Coil Resis. (ohms)	Pull-in (amps)	Hold (amps)	Spring	Boot	Comments & Features
D610-A2V12	14/62.3	27/120.0	1.00 [25,4]	12 VDC	.29/15.7	42	.76	No	Yes	
D610-B2V12	11.8/52.4	20.3/90.2	1.00 [25,4]	12 VDC	.29/15.7	42	.76	Light	Yes	
D610-C2V12	11.0/48.9	17.8/79.1	1.00 [25,4]	12 VDC	.29/15.7	42	.76	Heavy	Yes	
D610-A6V12	14/62.3	27/120.0	1.00 [25,4]	12 VDC	.29/15.7	42	.76	No	Yes	No threaded rod