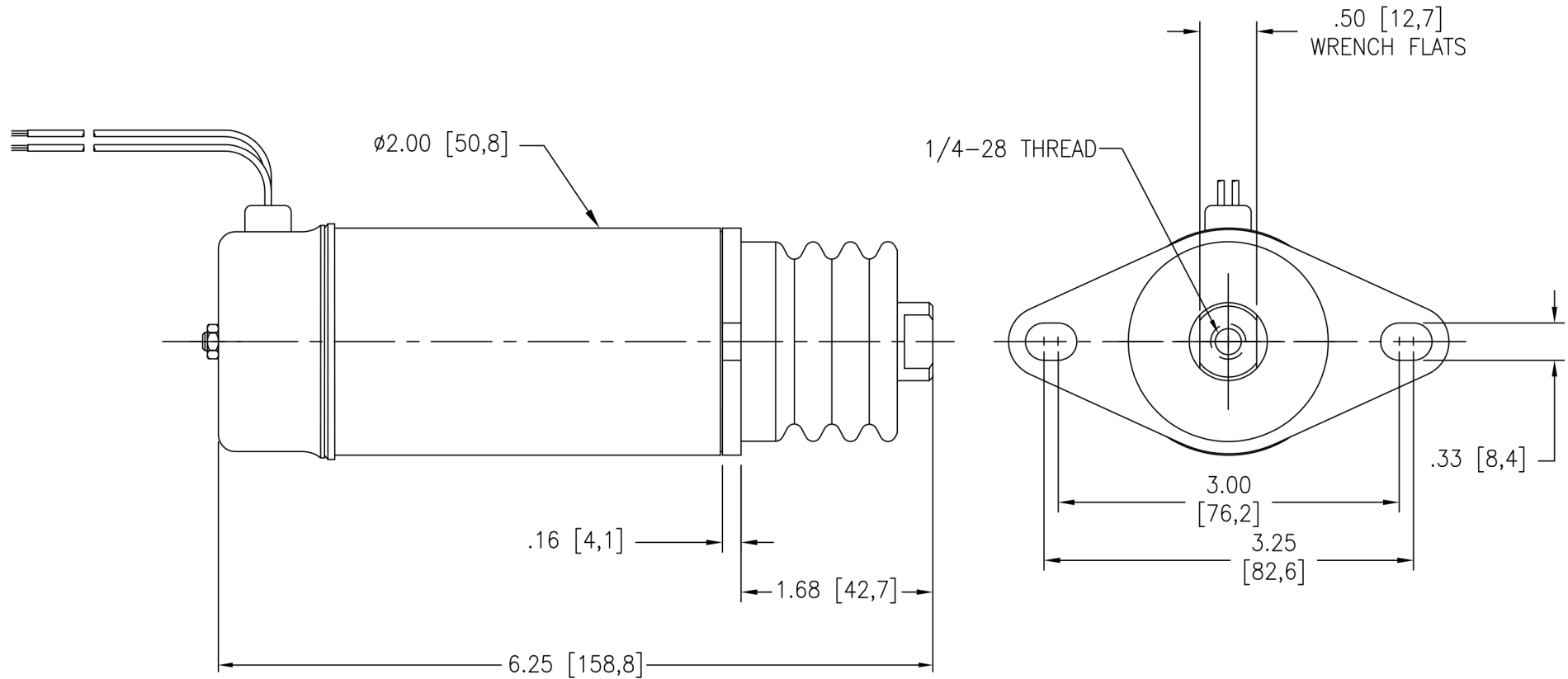




D513 SERIES		
Abbreviated Specifications & Dimensions		
W-D513-03003		
Revision A	ECN 3599	10/10/00



SHOWN ENERGIZED

Model #	Net Pull Force (lbs./newtons)	Net Hold Force (lbs./newtons)	Max. Stroke (inch [mm])	Voltage	Coil Resis. (ohms)	Pull-in (amps)	Hold (amps)	Spring	Boot	Comments & Festures
D513-A37	13.9/61.8	37.0/164	1.50 [38.1]	12 VDC	.178/13.6	67.4	.88	No	Yes	