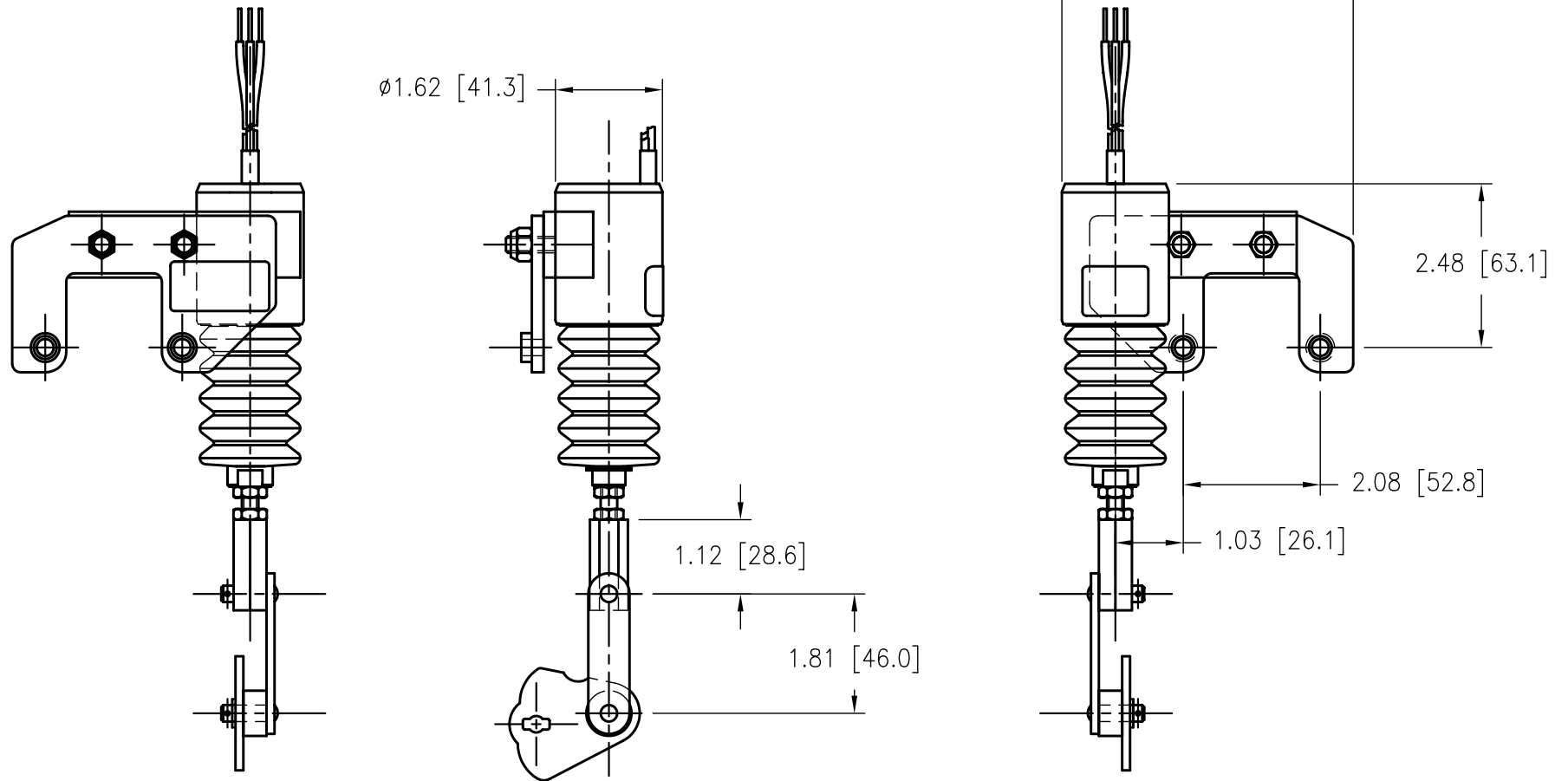




P610 SERIES  
 Abbreviated Specifications & Dimensions  
 W-P610-16014  
 Revision A | ECN 4501 | 11/11/04



Model #	SOLENOID #	Max. Stroke (inch [mm])	Voltage	Comments & Features
P610-K1V12	P610-A29V12	1.00 [25.4]	12 VDC	Left Mount - shown
P610-K13V12	P610-A45V12	1.00 [25.4]	12 VDC	Left Mount - shown
P610-K2V12	P610-A30V12	1.00 [25.4]	12 VDC	Right Mount