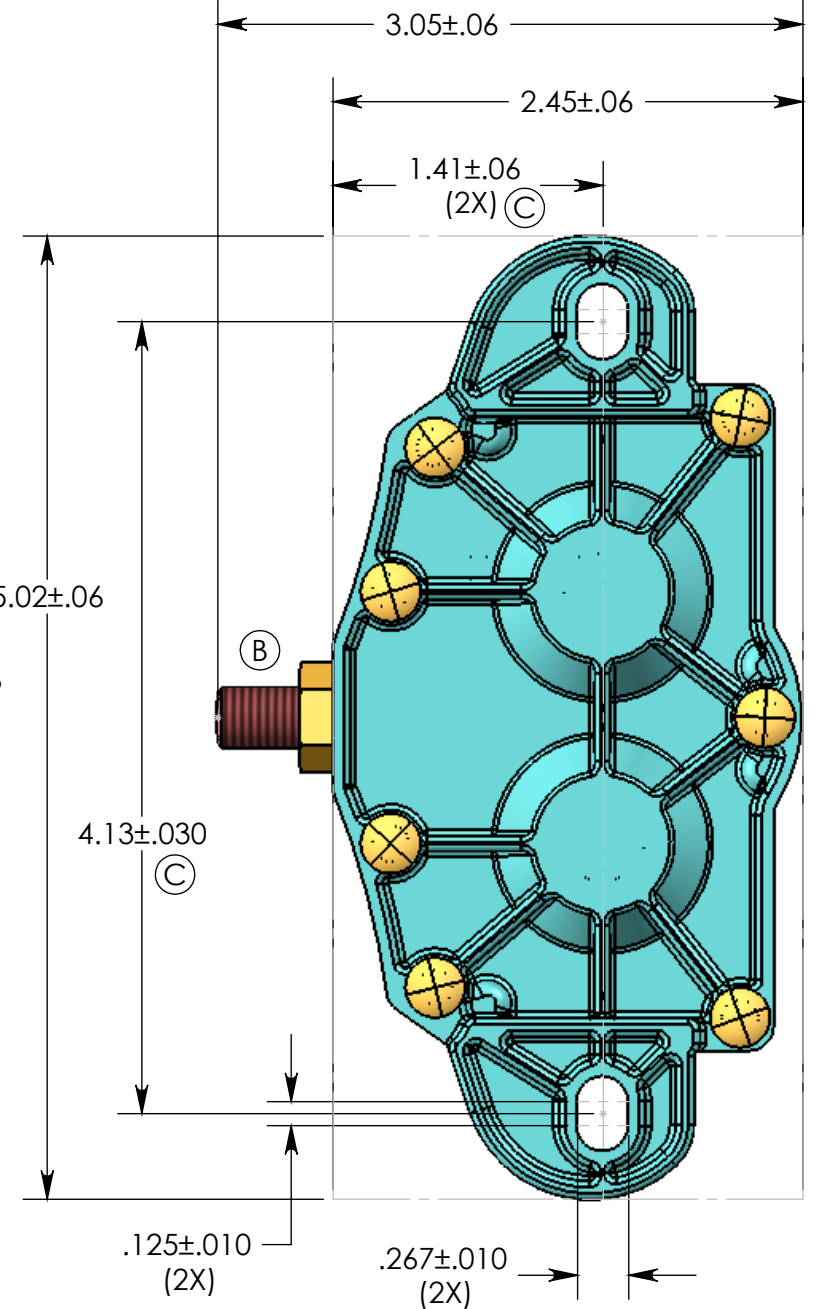
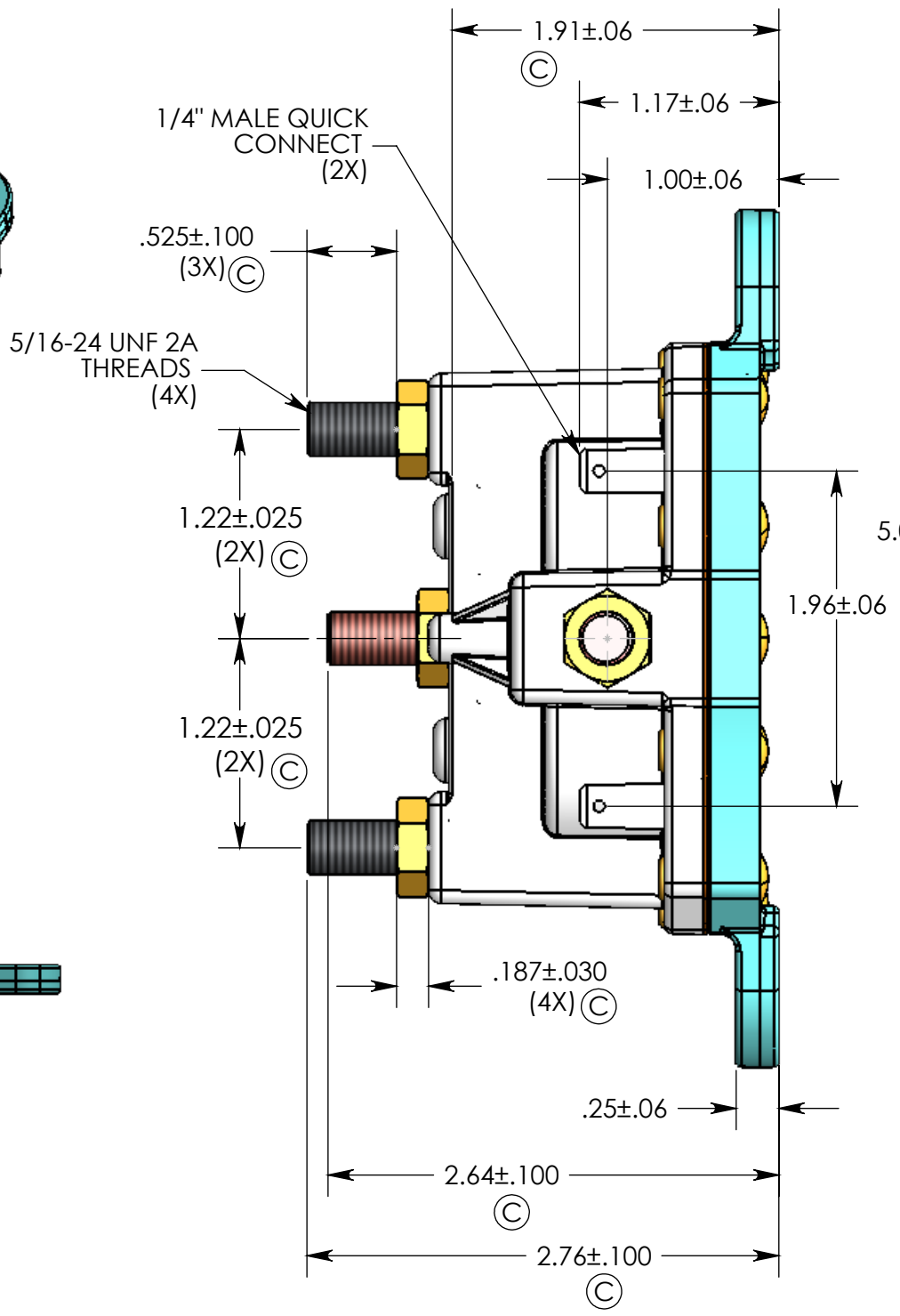
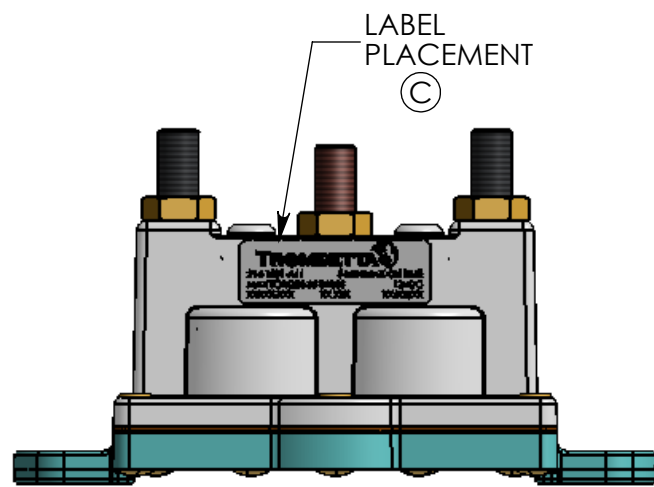
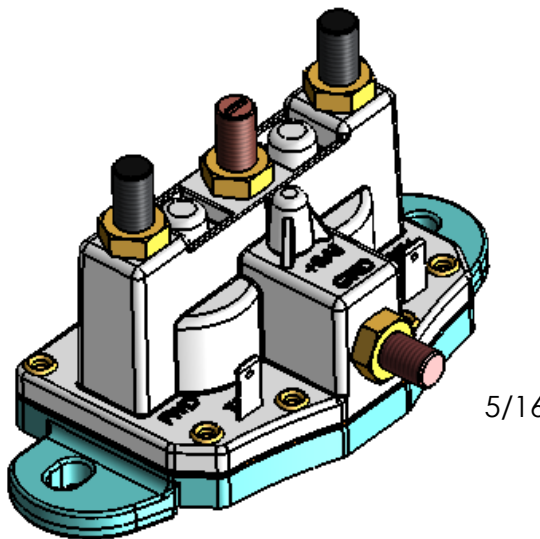
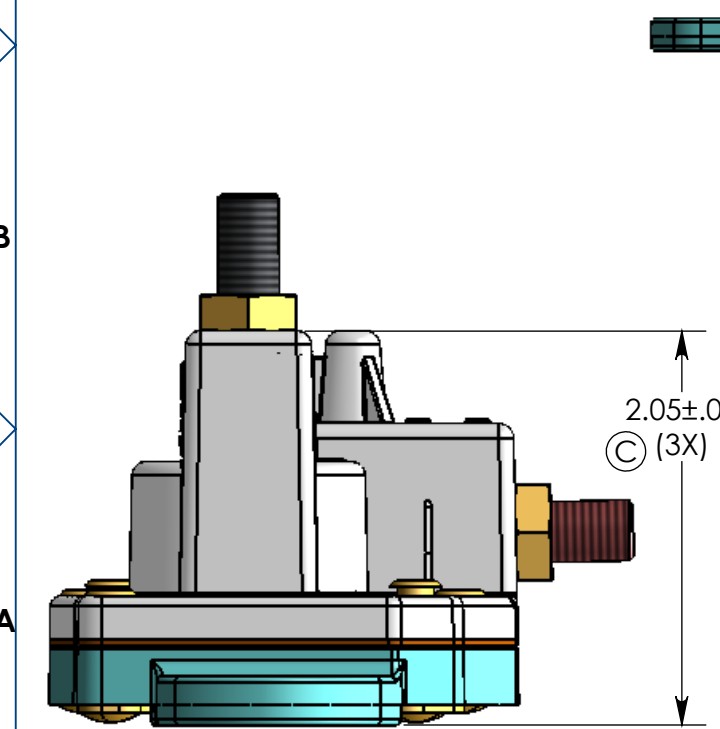
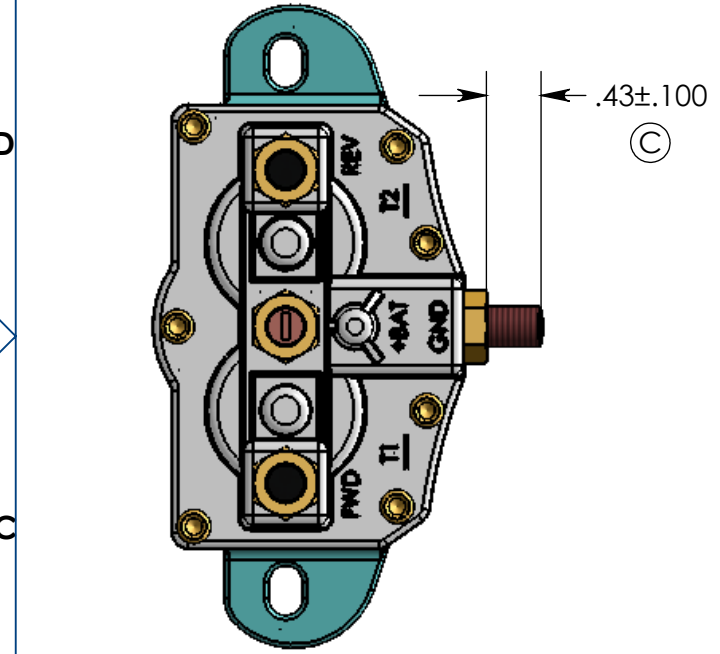


MODELS	VOLTAGE
214-1231-A11	12V
214-1231-A11-06	12V
214-1231-A51	12V
214-1231-A61	12V
214-1231-A61-06	12V
214-2431-A51	24V
214-2431-A61-06	24V



REV	DESCRIPTION	BY	ECN	DATE	APP
C	CHANGED HOUSING, (WAS D04032), CHANGED BRACKET, (WAS D04033), ADDED DIM TO FRONT STUD & BOSS, LABEL VIEW & ADJUSTED TOLERANCES, UPDATED LOGO ON LABEL & TITLEBLOCK	CAW	6732	10/9/12	DAH
B	REPLACED STUD, WAS 24801, NOW E08745	CAG	6142	10/29/09	DAH
A	RELEASE. REPLACES D03508.	CAG	6086	7/20/09	DAH

MATERIAL
FINISH
UNLESS OTHERWISE SPECIFIED: BREAK ALL EDGES .005-.015 FILLETS R.010-.020 .XXX±.005 .XX±.01 ANGLES ±1° 125 FINISH NUMBER REVISIONS ARE PROTOTYPE
CONTROL PLAN REQUIRED

**TROMBETTA**  
DC Power Solutions for a Harsh World

## 214 SERIES RP CONTACTOR DIMENSIONAL ASSEMBLY

DRAWN	CAG	APP	DAH	DRAWING NUMBER	REV
DATE	07/20/09	SCALE	1:1	D04139	C