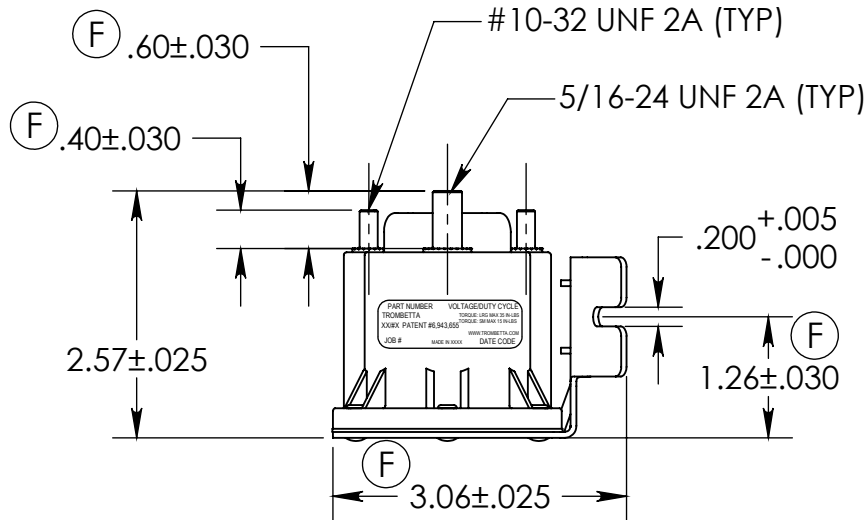
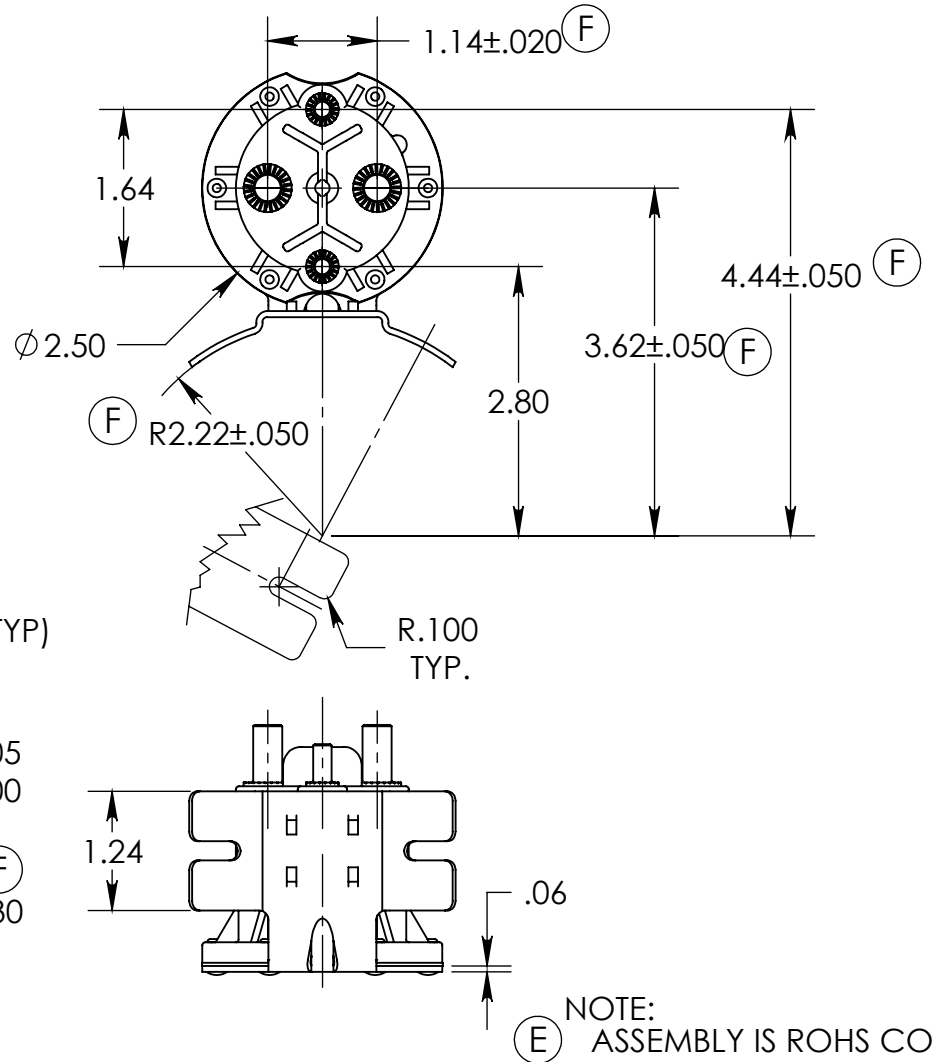



THIS DRAWING IS PROPRIETARY AND CONFIDENTIAL PROPERTY OF TROMBETTA AND IS LOANED IN CONFIDENCE WITH THE UNDERSTANDING THAT IT WILL BE KEPT CONFIDENTIAL AND USED ONLY FOR THE PURPOSE FOR WHICH IT IS LOANED.



NOTE:  
(E) ASSEMBLY IS ROHS COMPLIANT

REV.	F	ADDED ±.050 TOLERANCE TO 3.62, 4.44 & R2.22 ADDED ±.030 TOLERANCE TO .126, .040 & .060, ADDED .020 TO 1.14, ADDED .025 TO 3.06, REMOVED 28° TYP., R.10, .15 & .38.	CAG	6158	1/8/10	DAH	MATERIAL	 <b>684-XX61 SERIES</b> <b>DIMENSIONAL ASSEMBLY</b>	DRAWN	TM	SCALE: 1:2	DWG. NO.	
	E	ADDED ROHS NOTE	CAG	6078	7/27/09	DAH	FINISH		APPR.	TM	DATE 12/3/03	E08516	
	D	ADDED TOLERANCE TO HEIGHT DIMENSION	CAG	4771	10/24/06	DAH	UNLESS OTHERWISE SPECIFIED .XXX +/- .005 .XX +/- .01 ANG. +/- 1° BREAK ALL EDGES .005-.015 125 FINISH FILLETS .010-.020 RAD.						
	C	ADDED PATENT # TO LABEL	CAG	4642	10/18/05	DAH							
		DESCRIPTION	BY	ECN	DATE	APP.							