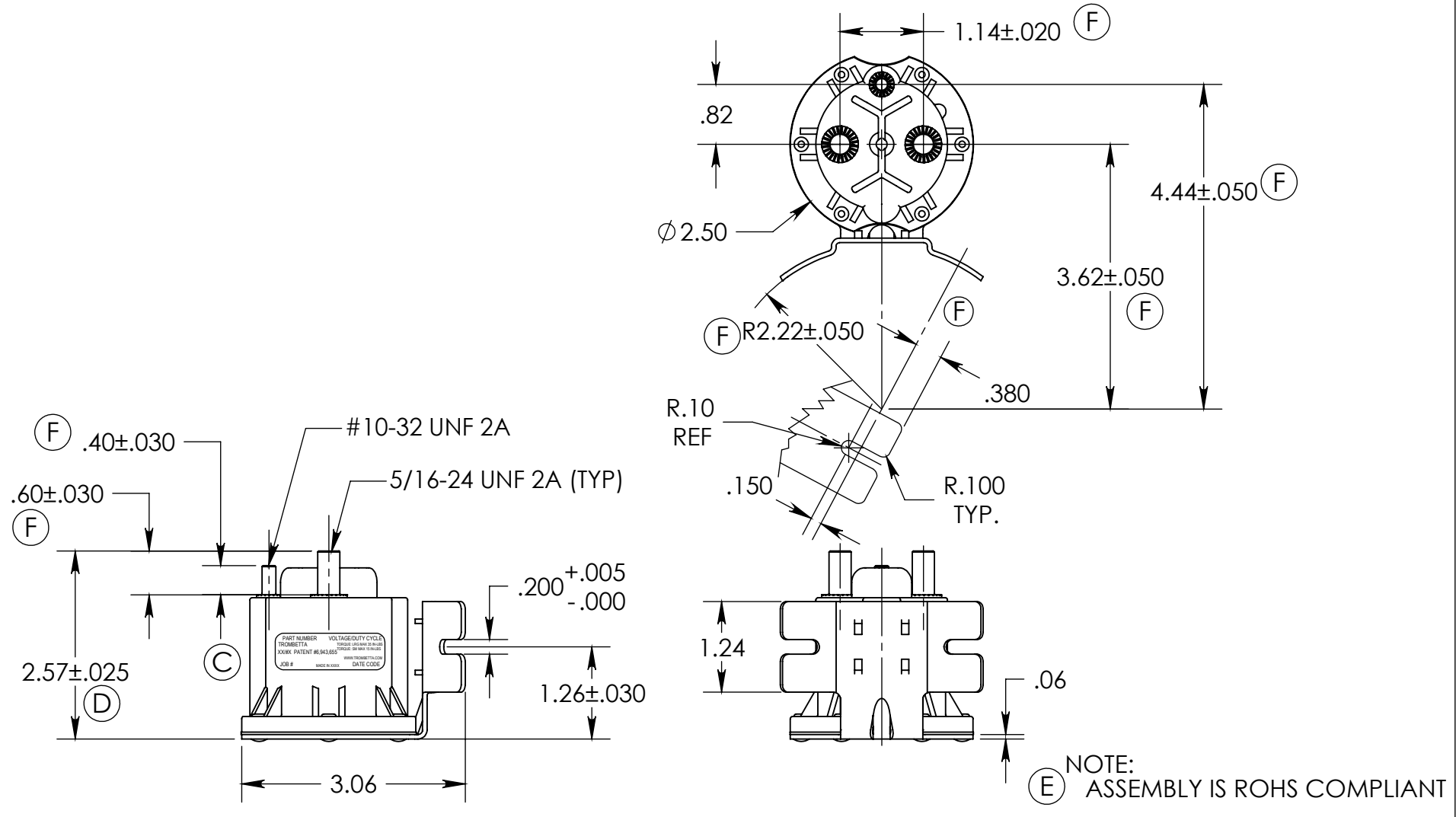



THIS DRAWING IS PROPRIETARY AND CONFIDENTIAL PROPERTY OF TROMBETTA AND IS LOANED IN CONFIDENCE WITH THE UNDERSTANDING THAT IT WILL BE KEPT CONFIDENTIAL AND USED ONLY FOR THE PURPOSE FOR WHICH IT IS LOANED.



NOTE:
(E) ASSEMBLY IS ROHS COMPLIANT

F	ADDED ±.050 TOLERANCE TO 3.62, 4.44 & R2.22 DIMENSIONS ADDED ±.030 TOLERANCE TO 1.26, .040 & .060 DIMENSIONS, ADDED .020 TO 1.14 DIMENSION REMOVED 28° TYP.	CAG	6148	12/4/09	DAH	MATERIAL	 MOTION TECHNOLOGIES	634-XX61 SERIES DIMENSIONAL ASSEMBLY	
E	ADDED ROHS NOTE	CAG	6078	7/27/09	DAH	FINISH			
D	ADDED TOLERANCE TO HEIGHT DIMENSION	CAG	4771	10/27/06	DAH	UNLESS OTHERWISE SPECIFIED .XXX +/--.005 .XX +/--.01 ANG. +/- 1° BREAK ALL EDGES .005-.015 125 FINISH FILLETS .010-.020 RAD.			
C	ADDED PATENT # TO LABEL	CAG	4642	10/18/05	DAH				
REV.	DESCRIPTION	BY	ECN	DATE	APP.	APPR. TM	DATE 12/3/03	E08515	