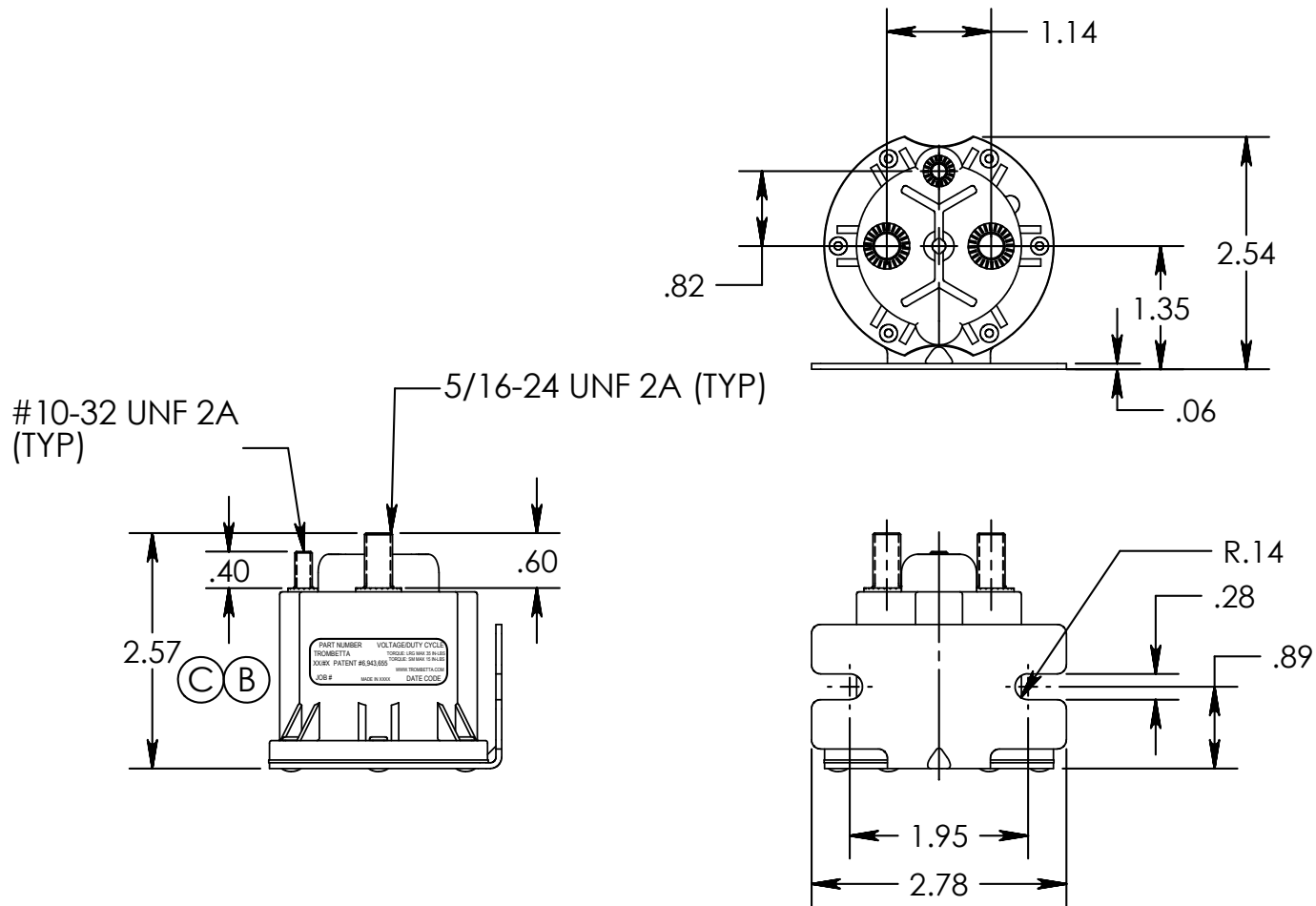


THIS DRAWING IS PROPRIETARY AND CONFIDENTIAL PROPERTY OF TROMBETTA AND IS LOANED IN CONFIDENCE WITH THE UNDERSTANDING THAT IT WILL BE KEPT CONFIDENTIAL AND USED ONLY FOR THE PURPOSE FOR WHICH IT IS LOANED.



MATERIAL									
FINISH									
UNLESS OTHERWISE SPECIFIED						634-XX51 SERIES DIMENSIONAL ASSEMBLY			
.XXX +/- .005 .XX +/- .01 ANG. +/- 1° BREAK ALL EDGES .005-.015 125° FINISH FILLET'S .010-.020 RAD.									
C	ADDED PATENT # TO LABEL	CAG	4642	10/18/05	DAH	DRAWN	TM	SCALE: 1:2	DWG. NO.
B	ADD LABEL DETAIL	JG	4552	4/4/05	DAH	APPR.	TM	DATE 6/23/03	E08430
A	RELEASE	TM	4171	6/23/03	TM				
REV.	DESCRIPTION	BY	ECN	DATE	APP.				