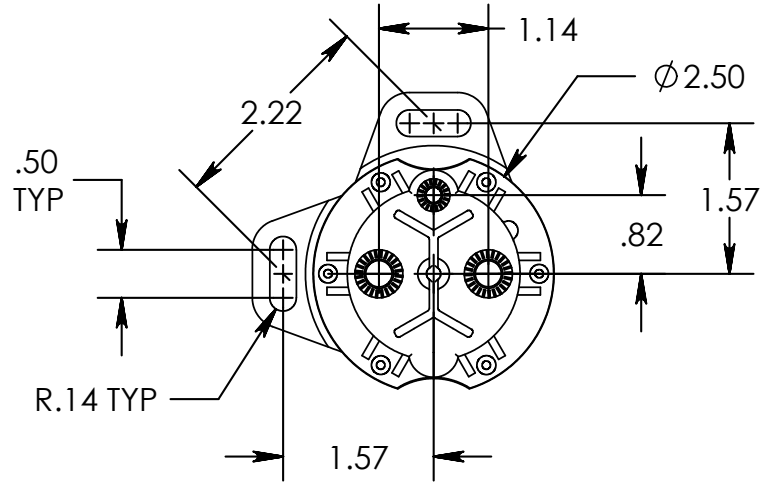
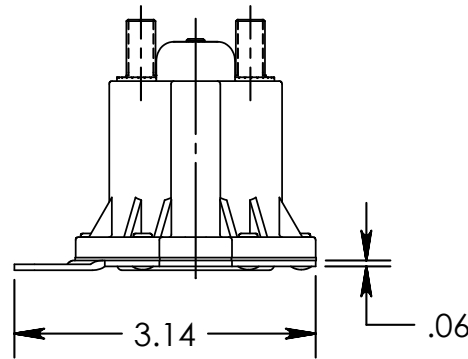
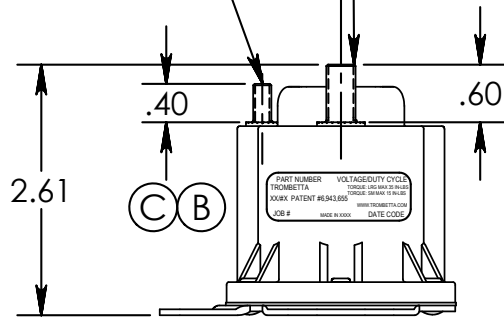


THIS DRAWING IS PROPRIETARY AND CONFIDENTIAL PROPERTY OF TROMBETTA AND IS LOANED IN CONFIDENCE WITH THE UNDERSTANDING THAT IT WILL BE KEPT CONFIDENTIAL AND USED ONLY FOR THE PURPOSE FOR WHICH IT IS LOANED.



#10-32 UNF 2A 5/16-24 UNF 2A (TYP)



MATERIAL	
FINISH	
UNLESS OTHERWISE SPECIFIED	
.XXX +/- .005 .XX +/- .01 ANG. +/- 1° BREAK ALL EDGES .005-.015 125 FINISH FILLETS .010-.020 RAD.	

Trombetta
MOTION TECHNOLOGIES

634-XX41 SERIES
DIMENSIONAL ASSEMBLY

C	ADDED PATENT # TO LABEL	CAG	4642	10/18/05	DAH
B	REVISE LABEL GRAPHICS	JG	4552	4/4/05	DAH
A	RELEASE	JG	4199	7/21/03	TM
REV.	DESCRIPTION	BY	ECN	DATE	APP.

DRAWN TM	SCALE: 1:2	DWG. NO.
APPR. TM	DATE 7/16/03	E08472