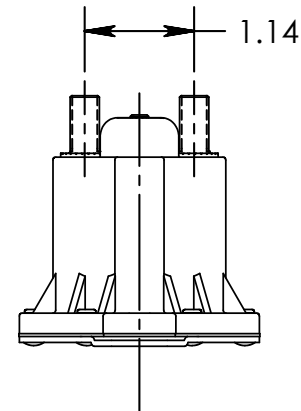
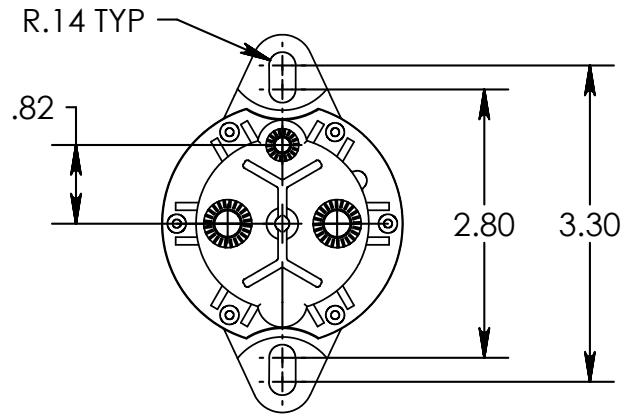
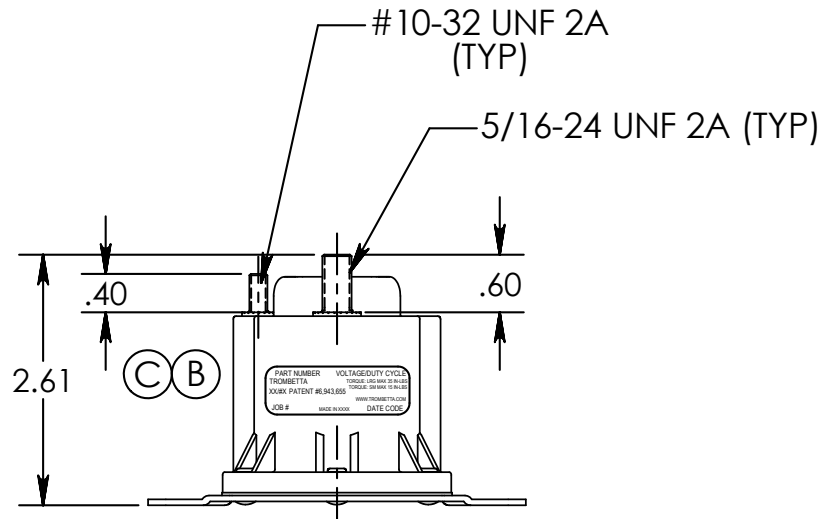


THIS DRAWING IS PROPRIETARY AND CONFIDENTIAL PROPERTY OF TROMBETTA AND IS LOANED IN CONFIDENCE WITH THE UNDERSTANDING THAT IT WILL BE KEPT CONFIDENTIAL AND USED ONLY FOR THE PURPOSE FOR WHICH IT IS LOANED.



C	ADDED PATENT # TO LABEL	CAG	4642	10/18/05	DAH
B	REVISE LABEL GRAPHICS	JG	4552	4/4/05	DAH
A	RELEASE	JG	4151	5/13/03	TM
REV.	DESCRIPTION	BY	ECN	DATE	APP.

MATERIAL	
FINISH	
UNLESS OTHERWISE SPECIFIED	
.XXX +/- .005 .XX +/- .01 ANG. +/- 1°	
BREAK ALL EDGES .005-.015 125 FINISH	
FILLET .010-.020 RAD.	

Trombetta+[®] MOTION TECHNOLOGIES		
634-XX21 SERIES DIMENSIONAL ASSEMBLY		
DRAWN	JG	SCALE: 1:2
APPR.	TM	DATE 5/23/03
		DWG. NO. E08422