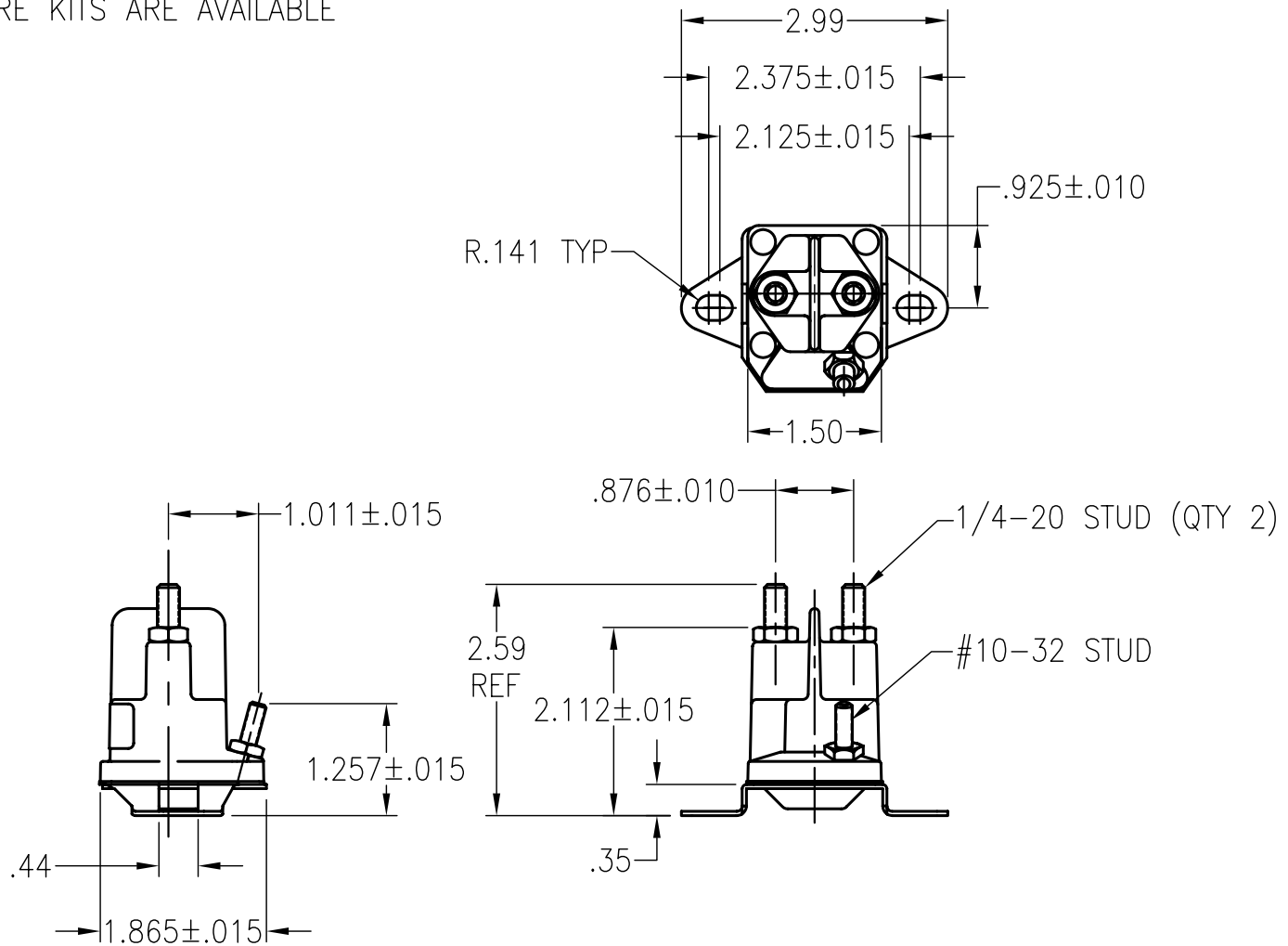



NOTE: BULK HARDWARE KITS ARE AVAILABLE



MATERIAL										
FINISH										
UNLESS OTHERWISE SPECIFIED		832 CONTACTOR STD BRKT DIMENSIONAL ASSEMBLY								
A	RELEASE	JMG	4038	10/23/02	DAH	.XXX +/- .005 .XX +/- .01 ANG. +/- 1°	DRAWN JMG	SCALE 1:2	DWG. NO.	
REV.	DESCRIPTION	BY	ECN	DATE	APP.	BREAK ALL EDGES .005-.015 FILLETS .010-.020 RAD.	125/ FINISH	APPR. DAH	DATE 10/23/02	E08302