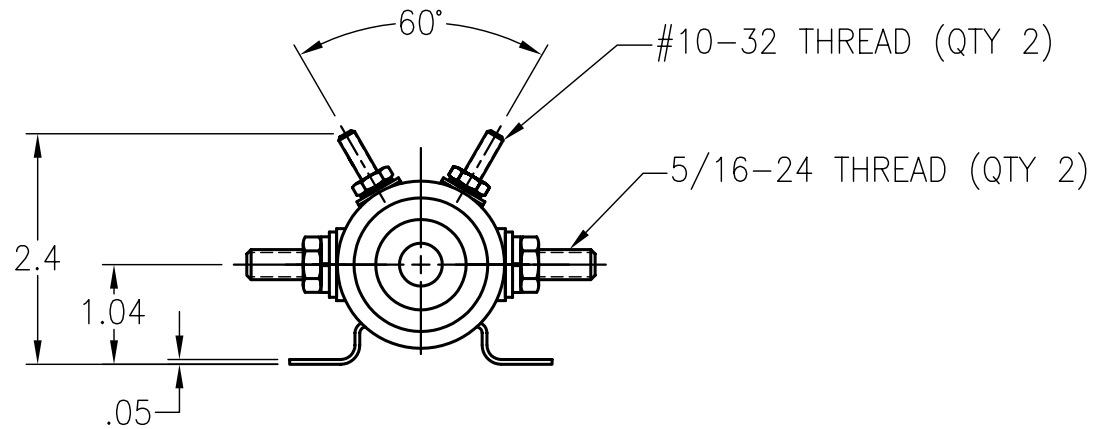
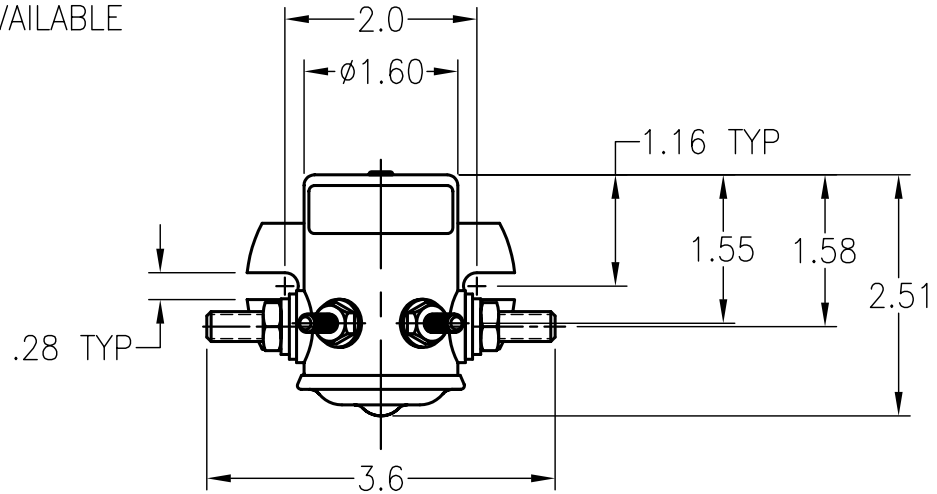


NOTE: BULK HARDWARE KITS ARE AVAILABLE



MATERIAL											
FINISH											
UNLESS OTHERWISE SPECIFIED						986 SERIES CONTACTOR DIMENSIONAL ASSEMBLY					
A	RELEASE	JMG	4044	11/5/02	DAH	.XXX +/- .005	.XX +/- .01	ANG. +/- 1°	DRAWN JMG	SCALE 1:2	DWG. NO.
REV.	DESCRIPTION	BY	ECN	DATE	APP.	BREAK ALL EDGES .005-.015	125	FINISH	APPR. DAH	DATE 11/5/02	E08347
						FILLET .010-.020 RAD.					