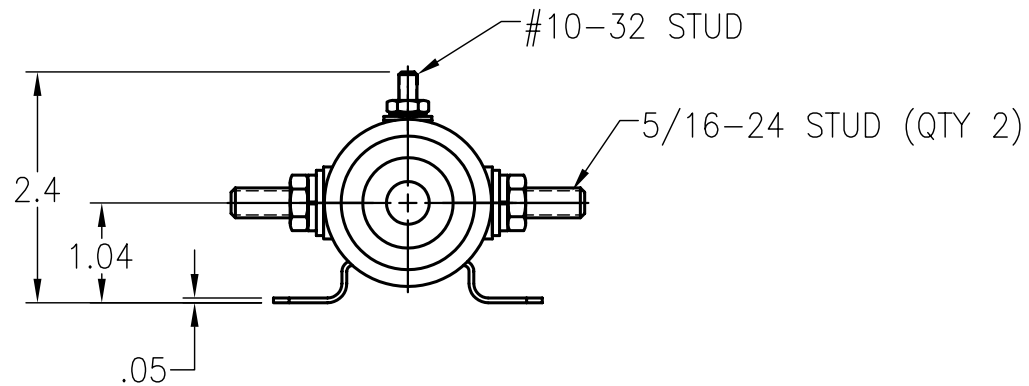
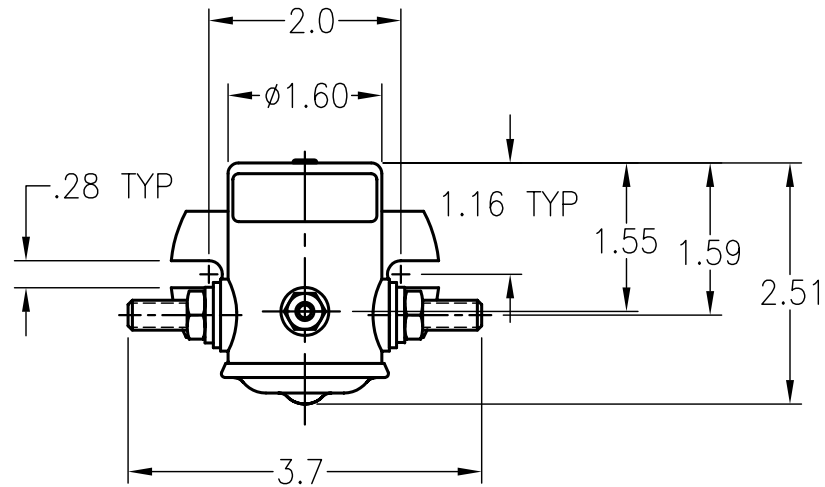



NOTE: BULK HARDWARE KITS ARE AVAILABLE



						MATERIAL											
						FINISH											
						UNLESS OTHERWISE SPECIFIED			936 SERIES CONTACTOR								
						.XXX +/- .005 .XX +/- .01 ANG. +/- 1°			DRAWN JMG			SCALE 1:2			DWG. NO.		
A RELEASE JMG 4046 11/8/02 DAH						BREAK ALL EDGES .005-.015			APPR. DAH			DATE 11/8/02			E08359		
						FILLETS .010-.020 RAD.			125° FINISH								
REV.	DESCRIPTION	BY	ECN	DATE	APP.												