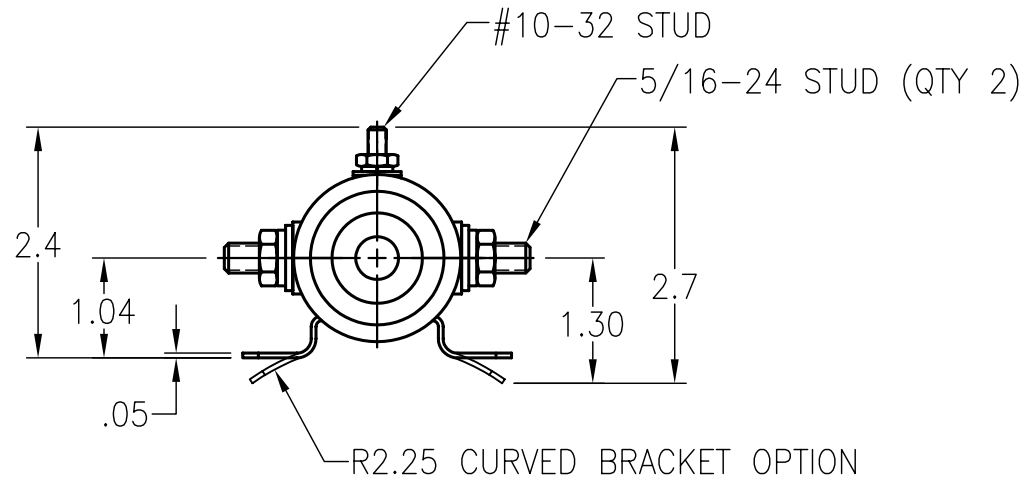
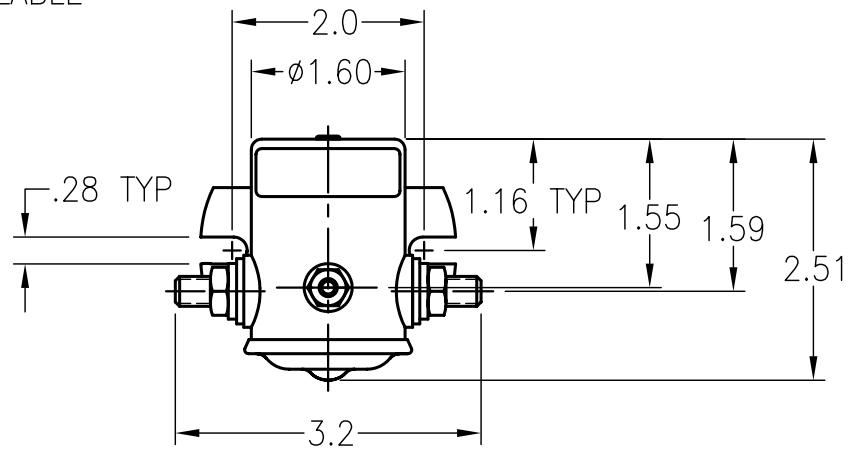



NOTE: BULK HARDWARE KITS ARE AVAILABLE



						<b>MATERIAL</b>					
						<b>FINISH</b>				904/934 SERIES CONTACTOR DIMENSIONAL ASSEMBLY	
						UNLESS OTHERWISE SPECIFIED					
A	RELEASE	JMG	4045	11/8/02	DAH	.XXX +/- .005	.XX +/- .01	ANG. +/- 1°	DRAWN JMG	SCALE 1:2	DWG. NO.
REV.	DESCRIPTION	BY	ECN	DATE	APP.	BREAK ALL EDGES .005-.015	125°	FINISH	APPR. DAH	DATE 11/8/02	E08349
						FILLETS .010-.020 RAD.					