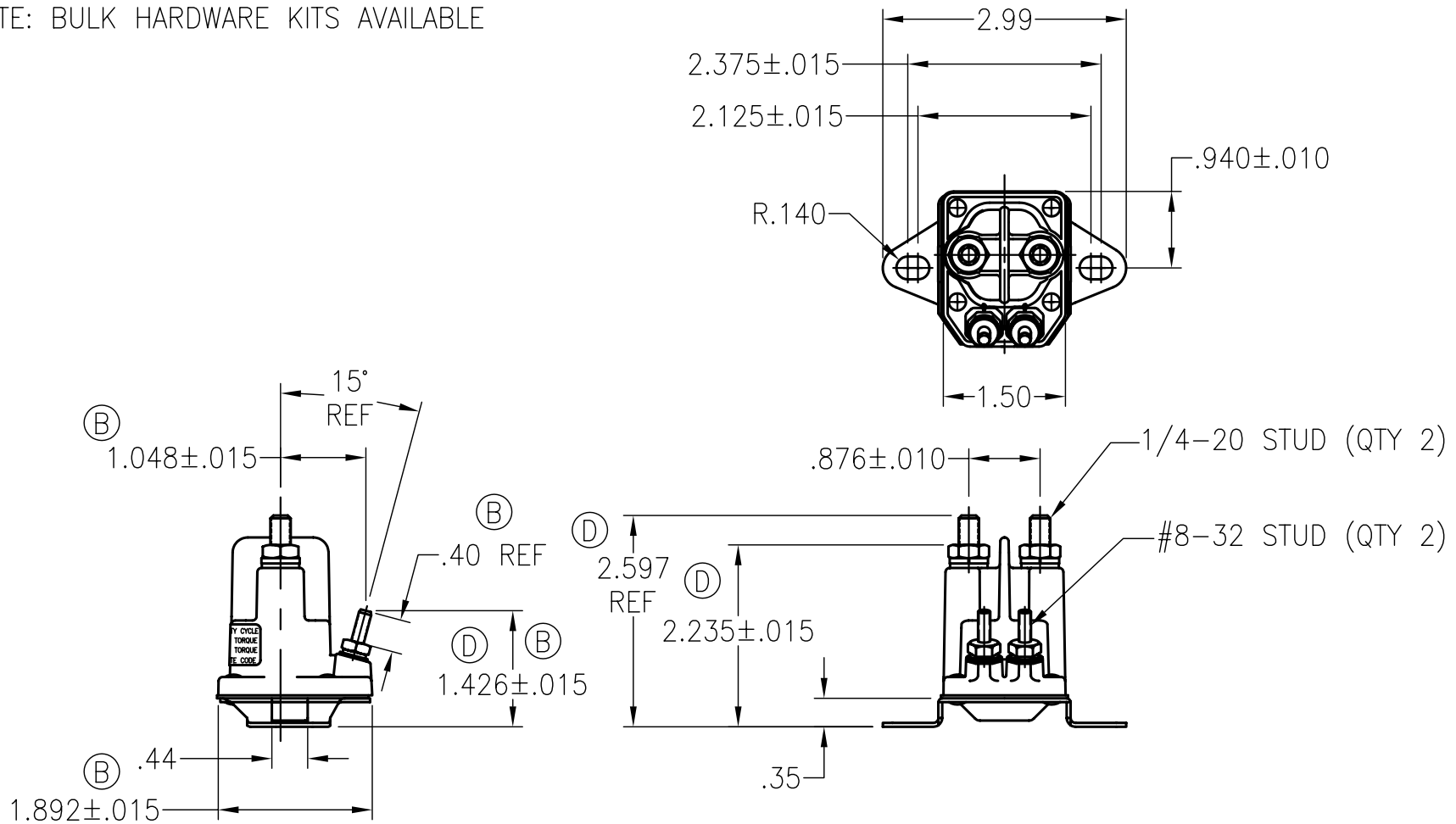


NOTE: BULK HARDWARE KITS AVAILABLE



D	2.597 REF WAS 2.623 REF 2.235±.015 WAS 2.261±.015 1.426±.015 WAS 1.452±.015	JMG	4183	7/2/03	EJR
C	ADD TORO P/N	JMG	4108	2/10/03	DAH
B	1.048±.015 WAS 1.003±.015 1.452±.015 WAS 1.285±.015 1.892±.015 WAS 1.907±.015 ADD .40 REF	JMG	4101	2/3/03	DAH
A	RELEASE	JMG	4018	10/2/02	DAH
REV.	DESCRIPTION	BY	ECN	DATE	APP.

(C) TORO PART NUMBER 106-8 245

MATERIAL			
FINISH			
UNLESS OTHERWISE SPECIFIED		772 STD BRACKET CONTACTOR DIMENSIONAL ASSEMBLY	
.XXX +/- .005	.XX +/- .01	ANG. +/- 1°	DRAWN JMG
BREAK ALL EDGES	.005-.015	125/ FINISH	SCALE 1:2
FILLETS .010-.020 RAD.			DATE 10/2/02
			DWG. NO. E08275
			APPR. DAH