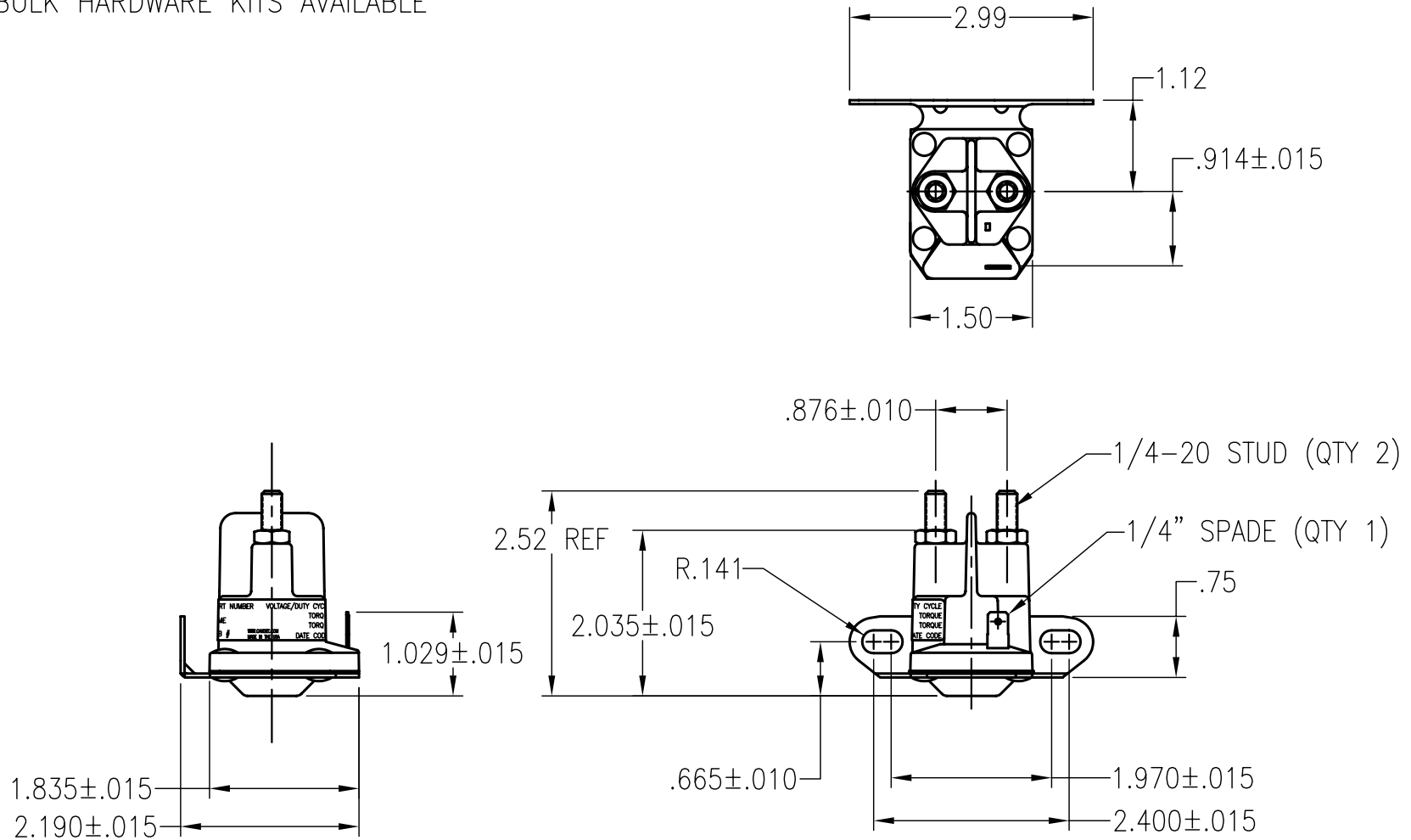



NOTE: BULK HARDWARE KITS AVAILABLE



MATERIAL				
FINISH				
UNLESS OTHERWISE SPECIFIED				
.XXX +/- .005 .XX +/- .01 ANG. +/- 1°		DRAWN JMG	SCALE 1:2	DWG. NO.
BREAK ALL EDGES .005-.015		APPR. DAH	DATE 9/30/02	E08264
FILLET .010-.020 RAD.				

A	RELEASE	JMG	4015	9/26/02	DAH
REV.	DESCRIPTION	BY	ECN	DATE	APP.