

Getting Started

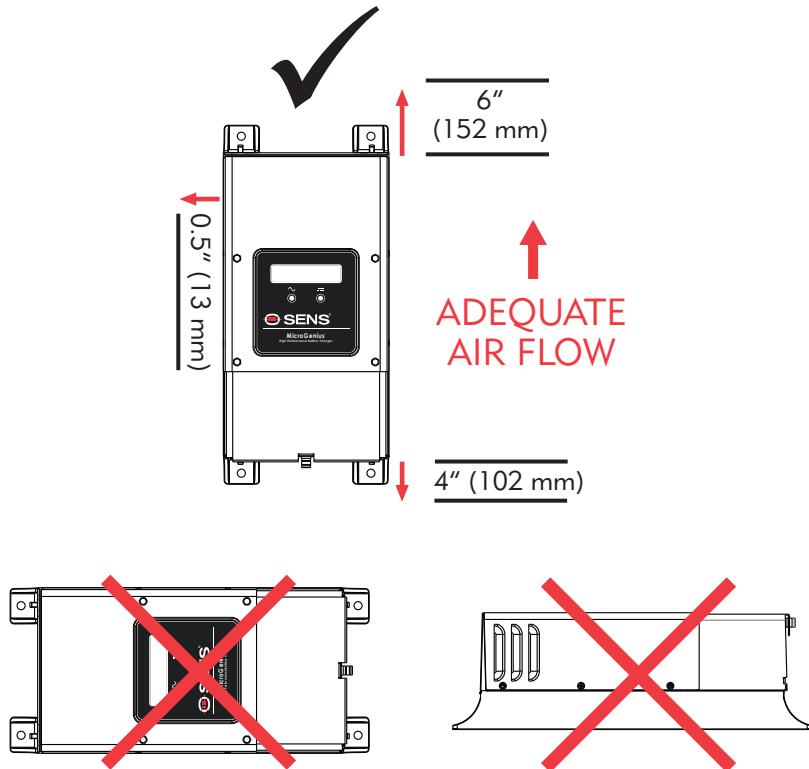
MicroGenius²

Genset Battery Charger

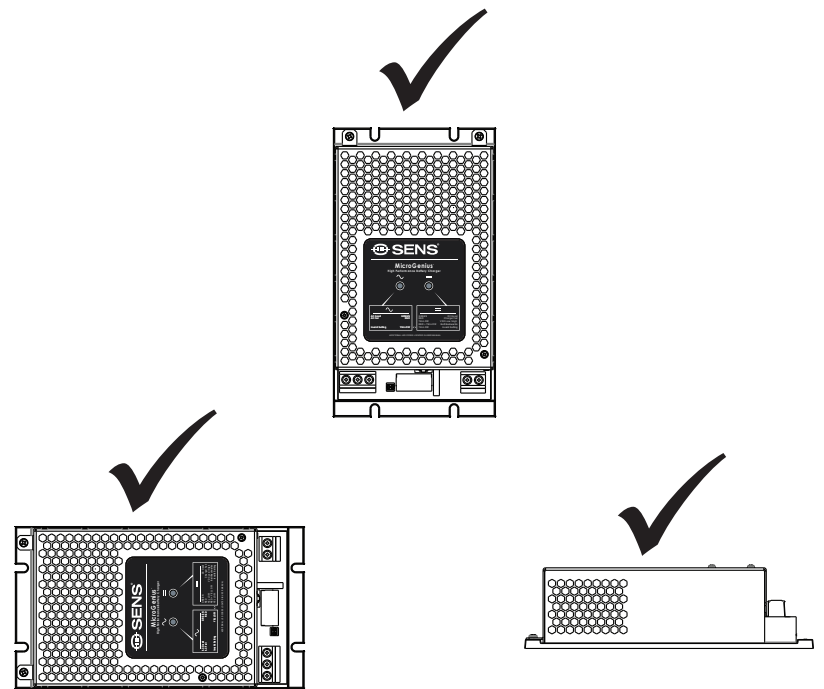
PATENTED US 9,270,140; 9,385,556; 9,413,186; PATENTS PENDING

1. Mount The Charger SEE MOUNTING HOLE TEMPLATES ON REVERSE SIDE

**ENCLOSED CHARGER IS RAINPROOF
PROTECT FROM DRIVING WATER**



**INSTALL OPEN-FRAME CHARGER
IN AN ENCLOSURE SUITABLE FOR PROTECTION OF
PERSONNEL AND WATER INGRESS INTO EQUIPMENT
HEAT SINK CHARGER TO METAL SURFACE**



2. Verify Battery Settings

IMPORTANT!

**CHARGER CONFIGURED AT FACTORY
WITH CUSTOMER REQUESTED SETTINGS**

**LEAVE JUMPERS IN ALL 3 FLOAT POSITIONS AS
SHIPPED BY FACTORY TO OPERATE USING
THESE SETTINGS (REFER TO FIGURE AT RIGHT)**

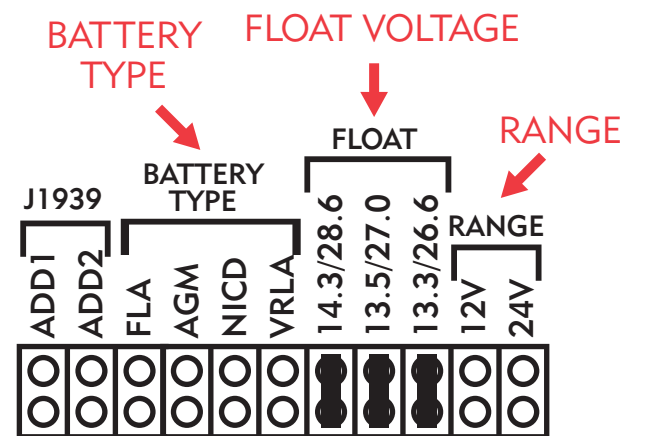
**SEE INSIDE COVER LABEL FOR FACTORY
CONFIGURATION VALUES**

FLOAT VOLTAGE

Jumpers in all 3 FLOAT positions indicates factory configured settings. Do not move jumpers before consulting user manual. See inside cover label for factory configuration.

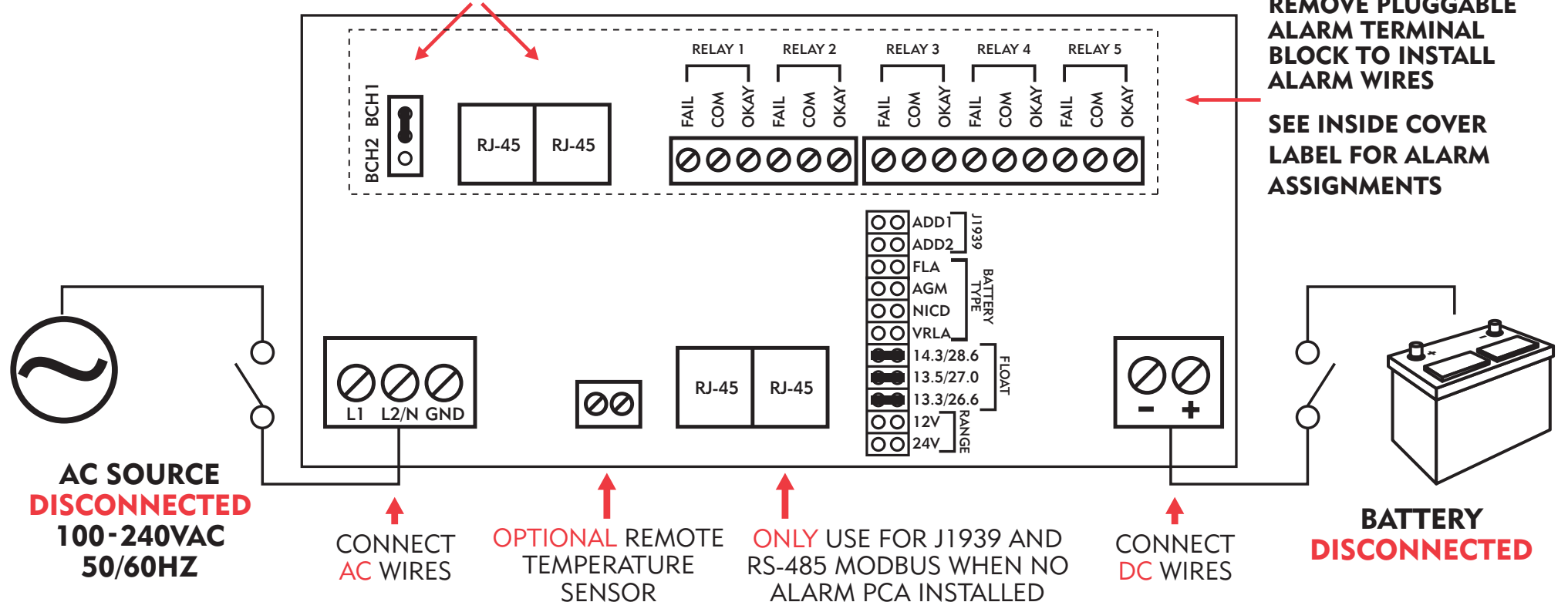
BATTERY TYPE AND RANGE

Do not place jumper for BATTERY TYPE or RANGE unless battery or output voltage has changed from original factory configuration. Move any one jumper to RANGE to change system voltage (all other settings remain same). To change battery type move one jumper each to BATTERY TYPE, FLOAT and RANGE positions.



3. Make Electrical Connections

OPTIONAL - J1939 AND MODBUS SETTINGS AND CONNECTIONS



**OPTIONAL ALARMS:
REMOVE PLUGGABLE
ALARM TERMINAL
BLOCK TO INSTALL
ALARM WIRES**

**SEE INSIDE COVER
LABEL FOR ALARM
ASSIGNMENTS**

4. Power On - Connect battery then energize AC power



IMPORTANT SAFETY INSTRUCTIONS

1. **SAVE THESE INSTRUCTIONS** –This guide contains important safety and operating instructions for MicroGenius² battery chargers.
2. Do not expose open-frame charger to rain or snow.
3. Use of an attachment not recommended or sold by the battery charger manufacturer may result in a risk of fire, electric shock, or injury to persons.
4. This charger is intended for commercial and industrial use. **ONLY TRAINED AND QUALIFIED PERSONNEL MAY INSTALL AND SERVICE THIS UNIT.**
5. Do not operate charger if it has received a sharp blow, been dropped, or otherwise damaged in any way; shut off power at the branch circuit protectors and have the unit serviced or replaced by qualified personnel.
6. To reduce risk of electric shock, disconnect the branch circuit feeding the charger before attempting any maintenance or cleaning. Turning off controls will not reduce this risk.
7. **WARNING – RISK OF EXPLOSIVE GASES**
 - 7.1 **WORKING IN THE VICINITY OF A LEAD-ACID OR NICKEL-CADMIUM BATTERY IS DANGEROUS. STORAGE BATTERIES GENERATE EXPLOSIVE GASES DURING NORMAL BATTERY OPERATION. FOR THIS REASON, IT IS OF UTMOST IMPORTANCE THAT YOU READ THIS DOCUMENT AND FOLLOW THE INSTRUCTIONS EACH TIME YOU USE THE CHARGER.**
 - 7.2 To reduce the risk of battery explosion, follow these instructions and those published by the battery manufacturer and the manufacturer of any equipment you intend to use in the vicinity of a battery. Review cautionary markings on these products and on the engine.
8. **PERSONAL PRECAUTIONS**
 - 8.1 Someone should be within range of your voice or close enough to come to your aid when you work near a storage battery.
 - 8.2 Have plenty of fresh water and soap nearby in case battery electrolyte contacts skin, clothing, or eyes.
 - 8.3 Wear complete eye protection and clothing protection. Avoid touching eyes while working near a storage battery.
 - 8.4 If battery electrolyte contacts skin or clothing, wash immediately with soap and water. If electrolyte enters eye, immediately flood the eye with running cold water for at least 10 minutes and get medical attention immediately.
 - 8.5 **NEVER** smoke or allow a spark or flame in vicinity of battery or engine.
 - 8.6 Be extra cautious to reduce risk of dropping a metal tool onto battery. It might spark or short circuit battery or other electrical part that may cause explosion. Using insulated tools reduces this risk, but will not eliminate it.
 - 8.7 Remove personal metal items such as rings, bracelets, necklaces, and watches when working with a storage battery. A storage battery can produce a short circuit current high enough to weld a ring or the like to metal, causing a severe burn.
 - 8.8 When charging batteries, charge 6 and 12 cell LEAD-ACID or 10 and 20 cell LIQUID ELECTROLYTE NICKEL-CADMIUM batteries only, with rated capacity of 30 to 300 Ampere hours. Certified for firepump and emergency generator applications at 200 Ampere hours. Do not use this battery charger to supply power to an extra-low voltage electrical system or to charge any type of non-rechargeable, dry cell, alkaline, lithium, nickel-metal-hydride, or sealed nickel-cadmium batteries that are commonly used with home appliances. These batteries may burst and cause injuries to persons and damage to property.
 - 8.9 **NEVER** charge a frozen battery.
 - 8.10 The charger contains a DC output fuse for internal fault protection, but this will not protect the DC wiring from fault currents available from the battery. Consult national and local ordinances to determine if additional battery fault protection is necessary in your installation.
 - 8.11 Study all battery manufacturer specific precautions such as removing or not removing cell caps while charging and recommended rate of charge.
 - 8.12 Do not operate charger in a closed-in area or restrict ventilation in any way.
 - 8.13 Never place the charger directly above or below the battery being charged; gases from the battery will corrode and damage charger.

