



FLEXIBLE CAN-BASED DISPLAY CUSTOMIZED FOR YOUR APPLICATION

CAN-based display with rich, full-color graphics
Compatible with both mechanical and electronic engines
Bonded, glare-free LCD screen, viewable in direct sunlight
Easy-to-use configuration software
Rugged design for extreme environments
Tier 4/Euro Stage IV ready
Multiple languages



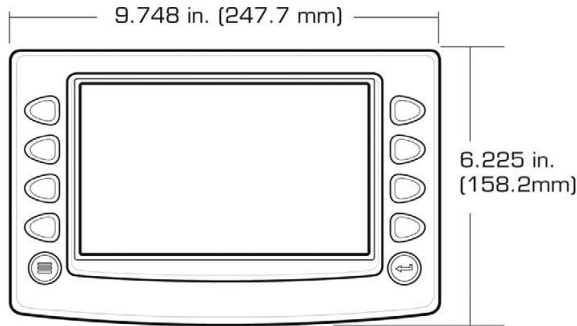
The PowerView 780 display is a full-featured, configurable display that integrates vital engine, transmission and diagnostic information into an easy-to-read operator interface. Integrate even more functionality into the display by way of the five available digital inputs. Additional switches can be wired into the display through the digital inputs and broadcast on the CAN bus.

The PV780 features a full color, 7-inch bonded LCD for brighter, smoother graphics and best-in-class sunlight

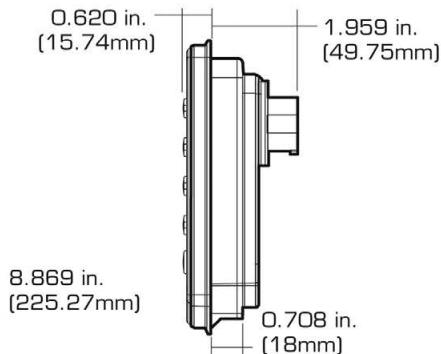
readability. The display's bonded LCD and rugged design make it a great solution for all types of environments and applications.

In addition, the PV780 display is compatible with the PowerVision Configuration Studio®, so custom software configurations can be quickly developed. With the software tool, it's easy to customize the user-interface – define custom parameters, add custom graphics, on-screen text, OEM branding and more.

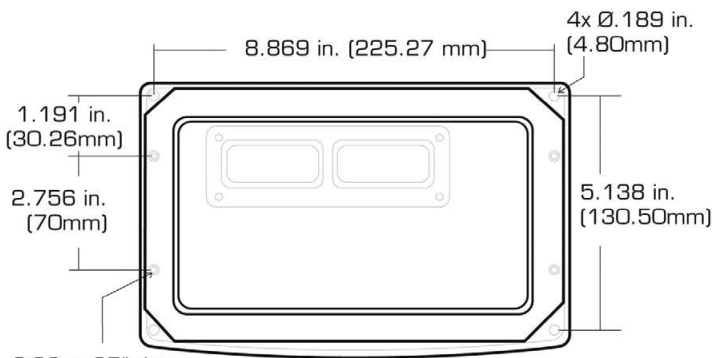
STANDARD DIMENSIONS



Front



Side



Back

8-32 x .25" deep
brass inserts 4-places

TECHNICAL SPECS:

- Display: 7"/178mm color transmissive TFT LCD
- Resolution: WVGA, 800 x 480 pixels, 16-bit color
- Aspect Ratio: 16:9
- Orientation: Landscape or portrait
- Backlighting: LED, 1,000 cd/m² (40,000 h lifetime)
- Microprocessor: Freescale™ i.MX357, 32 bit, 532 MHz
- QNX® Real-time Operating System
- Flash Memory: 2 GB
- RAM: 128 Mbytes SRAM
- USB: 2.0 host (full speed)
- Real-time clock with internal rechargeable Li-ion battery back-up
- Operating Voltage: 6-36V, reverse polarity protected and load-dump
- Power Consumption: 10W full backlight; 22W full backlight with heater [heater active when temperature is less than -10°C]
- CAN: (2) CAN 2.0B; ISO 11898-2 high speed (transmission rates up to 1 Mbp/s); J1939 and CANopen protocols along with proprietary messaging
- RS-485: 1 MODBUS® Master/Slave port, PVA gages
- Video input: 3 NTSC/PAL, single channel displayed
- Connectors: (2) AMPSEAL 23 pin
- Keyboard: 10 tactile pushbuttons
- Inputs: (3) 0-5 VDC, 4-20mA or resistive analog inputs, (1) frequency input configurable to support measurement frequencies from 2 Hz - 10 kHz, (5) discrete digital (active high)
- Outputs: (1) digital 500mA; switched low-side, (1) frequency 2Hz - 3kHz.
- Mounting Options: Front, Back and Gimbal Mount

ENVIRONMENTAL SPECS:

- Operating and Storage Temperature: -40°C to +85°C (-40°F to +185°F)
- Protection: IP66 and 67, front and back, for outdoor use
- EMC/EMI: 2004/108/EC and 2006/95/ED directives
EN 61000-4-3 (radiated EMF immunity)
EN 61000-4-4 (EFT immunity power and I/O lines)
EN 61000-4-5 (surges power lines)
EN 61000-4-6 (RF Immunity)
EN 61000-4-8 (magnetic field immunity)
EN 60945 (ESD)
EN 60945 (conducted emissions)
HYBRID EN 60945 CISPR 11 CLASS B (radiated emissions)
- Vibration: Random vibration, 7.86 Grms [5-2000Hz], 3 axis
- Shock: ±50G in 3 axis

* MODBUS is a registered trademark of its respective owners.

ENOVATION CONTROLS CORPORATE HEADQUARTERS

5311 S 122ND EAST AVENUE
TULSA, OK 74146

ENOVATION CONTROLS – SAN ANTONIO OFFICE

5757 FARINON DRIVE
SAN ANTONIO, TX 78249

ENOVATION CONTROLS – HOUSTON OFFICE

105 RANDON DYER RD
ROSENBERG, TX 77471

ENOVATION CONTROLS LTD. – UNITED KINGDOM

CHURCH ROAD LAVERSTOCK
SALISBURY SP1 1QZ UK

MURPHY ECONTROL TECHNOLOGIES (HANGZHOU) CO, LTD.

77 23RD STREET
HANGZHOU ECONOMIC & TECHNOLOGICAL DEVELOPMENT AREA
HANGZHOU, ZHEJIANG 310018 CHINA

DOMESTIC SALES & SUPPORT

ECONTROL PRODUCTS

PHONE: 210 495 9772
FAX: 210 495 9791
EMAIL: INFO@ECONTROL.COM
WWW.ECONTROL.COM

MURPHY PRODUCTS

PHONE: 918 317 4100
FAX: 918 317 4266
EMAIL: SALES@FWMURPHY.COM
WWW.FWMURPHY.COM

MURPHY CONTROL SYSTEMS & SERVICES

PHONE: 281 633 4500
FAX: 281 633 4588
EMAIL: CSS-SOLUTIONS@FWMURPHY.COM

MURPHY INDUSTRIAL PANEL DIVISION

PHONE: 918 317 4100
FAX: 918 317 4124
EMAIL: IPDSALES@FWMURPHY.COM

INTERNATIONAL SALES & SUPPORT

UNITED KINGDOM

PHONE: +44 1722 410055
FAX: +44 1722 410088
EMAIL: SALES@ENOVATIONCONTROLS.EU
WWW.FWMURPHY.EU

CHINA

PHONE: +86 21 6237 5885
FAX: +86 21 6237 5887
EMAIL: APSALES@FWMURPHY.COM

LATIN AMERICA & CARIBBEAN

PHONE: 918 317 2500
EMAIL: LASALES@FWMURPHY.COM

SOUTH KOREA

PHONE: +82 70 7951 4100
EMAIL: SKOREASALES@FWMURPHY.COM

INDIA

PHONE: +91 91581 37633
EMAIL: INDIASALES@FWMURPHY.COM

ISO 9001
REGISTERED



USA (TULSA) - ISO 9001:2008 FM 28221
USA (ROSENBERG) - ISO 9001:2008 FM 28221
UK - ISO 9001:2008 FM 29422
CHINA - ISO 9001:2008 FM 523851
Registered Facilities

Printed in the USA