



**MURPHY**<sup>®</sup>  
by **ENOVATION CONTROLS**

**POWerview**<sup>®</sup>  
**780B**

## MORE POWER AND MEMORY FOR ENHANCED USER EXPERIENCE



Features a new faster processor with video playback abilities

Offers twice as much flash memory as the PV780

CAN-based display with rich, full-color graphics

Compatible with mechanical and electronic engines

Bonded glare-free LCD screen

Superior visibility even in sunlight



The new PV780B delivers bright, vivid graphics on a 7-inch display with a high-speed processor and provides the same rugged reliability customers have come to expect out of the PowerView family of HMI products.

Available with a touch screen designed for use with gloves and unmatched performance in the harshest conditions, the PV780B is the best-in-class choice for OEMs and integrators looking to give their operators the best equipment experience.

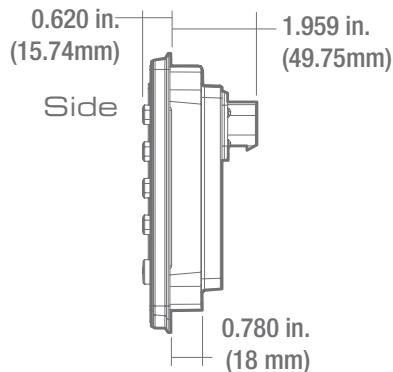
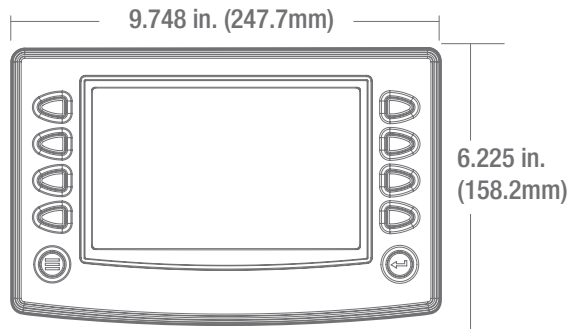
The full-featured, configurable display integrates vital engine, transmission and diagnostic information into an easy-to-read operator interface. The 1000-nit 7-inch screen can easily be viewed, even in full sunlight. The display's bonded LCD and rugged design make it a perfect solution for all types of environments and applications.

Customization of the display can be accomplished quickly via graphical programming or scripting with the PowerVision Configuration Studio<sup>®</sup> software.

# POWerview® 780B

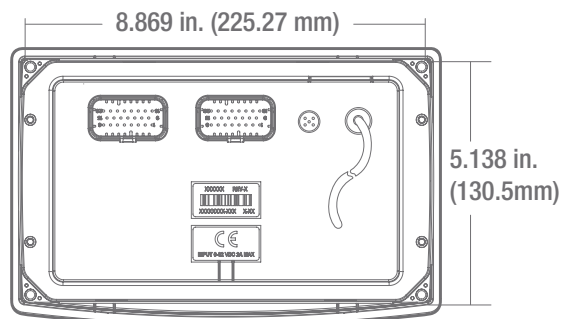
## DIMENSIONS

Front



Side

Back



## SPECIFICATIONS

### COMPUTING:

- Main Processor: Renesas R-Car M2, 32 Bit Arm Cortex A15 Processor, 1.5 GHz, QNX® Realtime Operating System
- Storage: 8 GB Flash for Operating system, Application and Configuration
- RAM: 512 MB DDR3-SDRAM
- Graphics: PowerVR SGX544MP2 (3D) (Option) Renesas graphics processor (2D)

### HARDWARE:

- Display: 7" (178mm) LED backlight LVDS TFT LCD
- Color: 16-bit color
- Resolution: WVGA, 800 X 480 pixels
- Contrast Ratio: 600:1 (Typ.)
- Brightness: 1000 cd/m<sup>2</sup>
- Surface: Anti-glare and hard-coating
- Touch Panel: Glove touch PCAP
- Keypad: 10 tactile configurable soft keys with white LED backlight
- Real Time Clock with battery backup
- Connectors: (2) Ampseal 23 pin;  
(1) M12 5 pin;  
(1) USB Pig tail
- Video input: 3 NTSC/PAL (Single channel viewable)

### COMMUNICATION:

- CAN: (2) CAN 2.0B according to ISO-11898-2; J1939 and CANopen; proprietary
- Serial: (1) RS-485 serial (MODBUS master/slave)
- USB: (1) USB 2.0 Full Speed Host
- Ethernet: 1 X Ethernet 10/100 Base-T (Option coming soon)
- WiFi: 802.11 b/g radio (Option coming soon)
- Bluetooth: Fully integrated Bluetooth 2.1 class 1 (Option coming soon)

### ELECTRICAL:

- Operating Voltage: 6 - 36 VDC, reverse polarity protected
- Outputs: (1) 500mA Switched Low-side  
(1) Frequency Out (2Hz - 3KHz)
- Inputs: (3) Analog 0-5VDC, 4-20mA, or resistive, 10-bit resolution  
(5) Discrete digital, active-high  
(1) Frequency In (2Hz - 10kHz) 5Vpk-pk min, 120V pk-pk max

### ENVIRONMENTAL:

- Operating and Storage Temperature: -40C to +85C [-40F to +185F]
- Protection: IP66 and IP67, front and back, for outdoor use
- Vibration: 7.86 Grms (5 - 2000Hz), 3 axes
- Shock: ±50G in 3 axes
- EMC/EMI: SAEJ1113, ISO13766, CE per 2014/30/EU

**ENOVATION CONTROLS CORPORATE HEADQUARTERS**  
5311 S 122ND EAST AVENUE  
TULSA, OK 74146

**ENOVATION CONTROLS LTD. – UNITED KINGDOM**  
CHURCH ROAD LAVERSTOCK  
SALISBURY SP1 1QZ UK

**SUN MURPHY INTERNATIONAL TRADING (SHANGHAI) CO., LTD**  
B15 ROOM, 6# BUILDING, 351 SIZHUAN ROAD  
SONGJIANG DISTRICT, SHANGHAI 201601, CHINA

**ENOVATION CONTROLS INDIA PVT. LTD.**  
301, 3RD FLOOR, KRSNA CHAMBERS,  
11 GALAXY GARDENS, NORTH MAIN ROAD,  
KOREGAON PARK, PUNE 411001,  
MAHARASHTRA, INDIA

### U.S. SALES & SUPPORT

PHONE: 918 317 4100  
EMAIL: SALES@ENOVATIONCONTROLS.COM  
WWW.ENOVATIONCONTROLS.COM

### MURPHY INDUSTRIAL PANEL DIVISION

PHONE: 918 317 4100  
EMAIL: IPDSALES@ENOVATIONCONTROLS.COM

### INTERNATIONAL SALES & SUPPORT

**EUROPE, MIDDLE EAST, AFRICA**  
PHONE: +44 1722 410055  
EMAIL: SALES@ENOVATIONCONTROLS.EU

**CHINA**  
PHONE: +86 21 6237 5885  
EMAIL: APSALES@ENOVATIONCONTROLS.COM

**INDIA**  
PHONE: +91 91581 37633  
EMAIL: INDIASALES@ENOVATIONCONTROLS.COM



FM 28221 (Tulsa, OK - USA)  
FM 29422 (UK)