



RUGGED, RELIABLE, ROBUST MID-RANGE, FULL COLOR DISPLAY

THE POWERVIEW™ 450

Rich Feature Set.
Fully Customizable.
Compact Size.

Compact size to fit your application

Bonded LCD for optimum viewability

Streamlined modular design

Easy-to-use configuration software

Data logging

Customizable bezel, buttons,
I/O interface and more



The PowerView 450 is a compact, fully configurable display designed for use in modern electronic engines. It integrates electronic engine, transmission and equipment information into an easy to read, full-color interface.

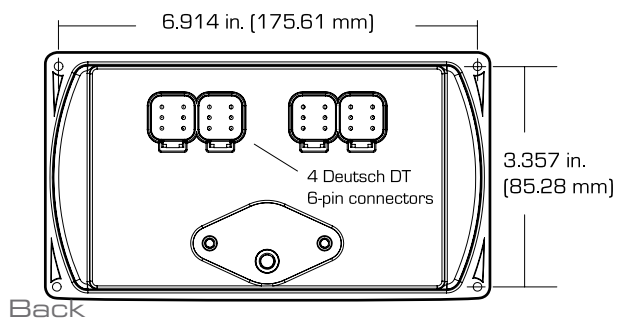
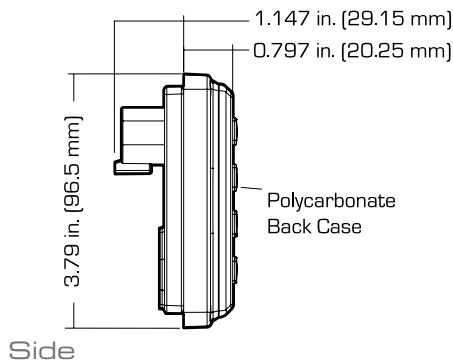
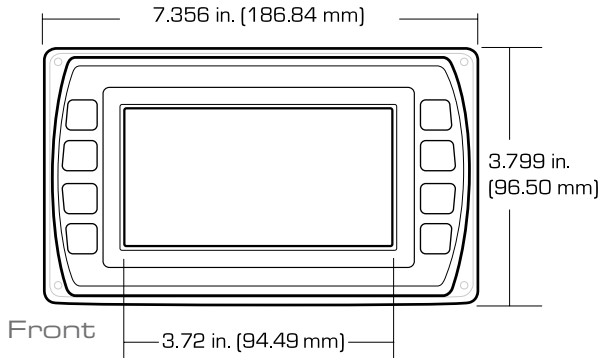
The PV450 features a 4.3-inch screen perfect for applications with tighter spaces, and it delivers the same powerful performance as Murphy's larger configurable displays. In addition, the PV450 display meets the requirements for Tier4/Euro Stage IIIB emissions monitoring from the factory.

Customize the PV450 with Murphy's PowerVision Configuration Studio™, a powerful tool that allows you to customize the look and feel of equipment screens, customize parameters, edit troubleshooting information, add company branding and more.



THE POWERVIEW™ 450

STANDARD DIMENSIONS



TECHNICAL SPECS:

- Display: Bonded 4.3"/109mm color transmissive TFT LCD
- Resolution: WQVGA, 480 x 272 pixels, 16-bit color
- Aspect Ratio: 16:9
- Orientation: Landscape or portrait
- Backlighting: LED, 500-650 cd/m² (30,000 hr lifetime)
- Microprocessor: Freescale iMX35, 32bit, 532MHz
- QNX Real-Time Operating System
- Flash Memory: 256 MB (expandable to 8GB)
- RAM: 128MB DDR2 SDRAM
- USB 2.0 host (full speed)
- Operating Voltage: 6-32 VDC, reverse polarity and load-dump protected
- Power Consumption: 10W max
- CAN: Two CAN 2.0B; optional NMEA 2000 isolation
- RS 485: 1 MODBUS Master/Slave port, PVA
- Optional video input: Two NTSC/PAL input channels (one displayed at a time)
- Protocols: J1939, NMEA 2000, CANopen, Freeform CAN
- Connection: 4 Deutsch DT 6-pin connectors
- Keyboard: 8 tactile buttons
- Input: 1 Resistive, 0-5V, or 4-20mA (software configurable)
- Output: 1 open-drain, capable of syncing 500mA
- Real-Time clock with battery backup

ENVIRONMENTAL

- Operating Temperature: -40°C to 85°C (-40° to 185°F)
- Storage Temperature: -40°C to 85°C (-40° to 185°F)
- Protection: IP 66 and 67, front and back
- Emissions and Immunity:
 - Electromagnetic Compatibility: 2004/108/EC
 - EN 61000-6-4
 - EN 61000-6-2 (immunity)
 - EN 501121-3-2
 - EN 12895
 - J1113/2, 4, 11, 12, 21, 24, 26 and 41
- Vibration: 7.86g random vibrate [5-2,000Hz] in 3 axis
- Shock: ±50g in 3 axis

ADDITIONAL OPTIONS

- LCD Touchscreen (projected) capability

FW MURPHY

5311 South 122nd East Avenue
Tulsa, Oklahoma 74146 USA
Phone: +1 918 317 4100 Fax: +1 918 317 4266
E-mail: sales@fwmurphy.com
Web: www.fwmurphy.com

ECONTROLS, INC

5757 Farinon Drive
San Antonio, Texas 78249 USA
Phone: +1 210 495 9772 Fax: +1 210 495 9791
E-mail: info@econtrols.com
Web: www.econtrols.com

FWM INDUSTRIAL PANEL DIVISION

5311 South 122nd East Avenue
Tulsa, Oklahoma 74146 USA
Phone: +1 918 317 4100 Fax: +1 918 317 4124
E-mail: ipdsales@fwmurphy.com
Web: www.fwmurphy.com

FRANK W. MURPHY, LTD

Church Rd Laverstock
Salisbury SP1 1QZ UK
Phone: +44 1722 410055 Fax: +44 1722 410088
E-mail: sales@fwmurphy.co.uk
Web: www.fwmurphy.co.uk

FW MURPHY INSTRUMENTS (HANGZHOU) CO. LTD

77 23rd Street
Hangzhou Economic & Technological Development Area
Hangzhou, Zhejiang 310018 China
Phone: +86 571 8788 6060 Fax: +86 571 8684 8878
E-mail: apsales@fwmurphy.com
Web: www.fwmurphy.com/company_ch

FW MURPHY (LATIN AMERICA & CARIBBEAN)

Apdo. Postal 2-06, Admon. "Lomas" Cord. Arakán 606-16
Lomas 4th Sección 78211, San Luis Potosí, S.L.P., México
Phone: +1 918 317-2500
E-mail: lasales@fwmurphy.com
Web: www.fwmurphy.com

FW MURPHY INDIA

Maharashtra State, India
Phone: +91 91581 37633
E-mail: indiasales@fwmurphy.com
Web: www.fwmurphy.com

COMPUTRONIC CONTROLS, LTD

Phone: +44 1722 410055 Fax: +44 1722 410088
E-mail: sales@computroniccontrols.com
Web: www.computroniccontrols.com



USA-ISO 9001:2008 FM 28221
UK-ISO 9001:2008 FM 29422
CHINA-ISO 9001:2008 FM 52385
Registered Facilities

