



THE POWERVIEW[®]
300
SERIES

**CONFIGURABLE, MULTIFUNCTION
DISPLAYS FOR ELECTRONIC AND
MECHANICAL ENGINES**



For Use on Mechanical & Electronic Equipment

Easy-to-Use Configuration Software

Tier 4/Euro Stage IV Ready

Set Point Alarm and Shut-down Control

CAN J1939 Communications

Supports Multiple Languages



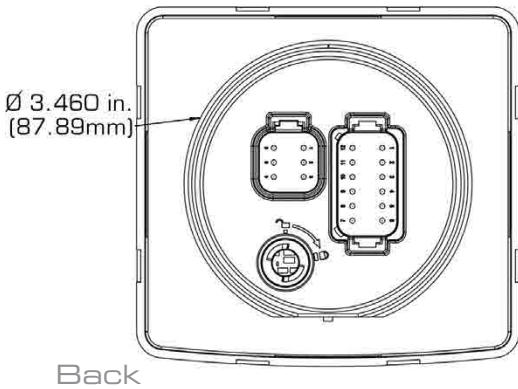
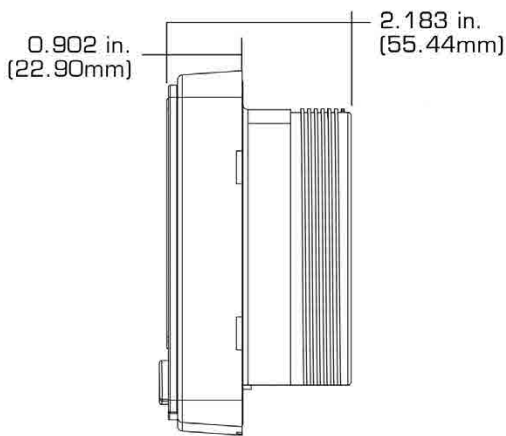
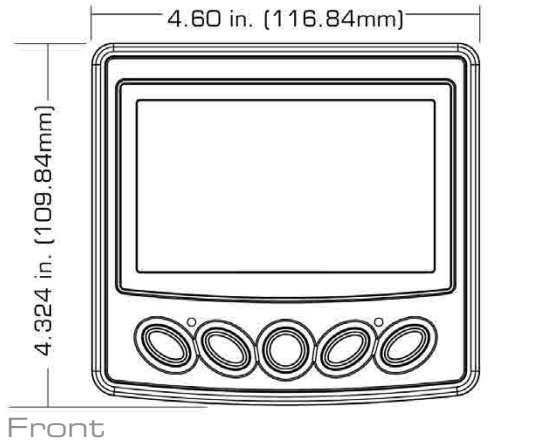
The PowerView[®] 300 Series features robust, multifunction displays for advanced monitoring of both electronic and mechanical engines.

The PV350 and PV380 displays monitor multiple engine and machine parameters on an easy-to-read 3.8-inch (97 mm) QVGA monochrome LCD. The displays are capable of handling sophisticated engine diagnostics as well as basic engine alarm/shutdown.

Customize the PV300 Series displays using the PowerVision Configuration Studio[®] software, an intuitive tool designed to make customization simple. Using the software tool, users can customize basic graphics, designate screen layout and define custom parameters.

See the specs on the back of this sheet for a full overview of the PV300 Series.

STANDARD DIMENSIONS



Model	Communications	Inputs	Outputs	Connectors	Certifications
PV350	[2] CAN 2.0B; second CAN port is NMEA 2000 isolated. J1939 and NMEA 2000 protocols Proprietary messaging	[1] resistive analog	[1] 500 mA; switched low-side	Deutsch DT Series 6 pin M12 (5 socket)	CE mark ECE R10
PV380	[1] CAN 2.0B J1939 protocols Proprietary messaging [1] RS-485 serial	[4] resistive analog [3] analog: 0-5V analog or digital [1] frequency 2-10,000Hz, 3.6-120VAC	[2] 500 mA; switched low-side	Deutsch DT Series 6 and 12 pin	CE mark

TECHNICAL SPECS:

- Display: 3.8" (97 mm) QVGA (320 x 240 pixels); monochrome transreflective LCD with white LED backlight, heater and real-time clock
- Viewing Angle: ±55° horizontally; +45° / -60° vertically
- Keys: 5 tactile pushbuttons
- Alarms: Red and amber warning LEDs; Set point triggered output for external piezo buzzer or shut-down relay

ENVIRONMENTAL

- Voltage: 6-36 VDC; reverse polarity protected
- Operating Temperature: -40°C to 85°C (-40° to 185°F)
- Storage Temperature: -40°C to 85°C (-40° to 185°F)
- Sealing: IP 66 and 67
- Vibration and Shock: 7.86g random vibrate (5-2,000Hz) and ±50g shock in 3 axis
- EMC/EMI: 2004/108/EC and 2006/95/EC directives
EN61000-6-4:2001 (emission)
EN61000-6-2:2001 (immunity)
EN 50121-3-2 and EN 12895
- SAE J1113/2, 4, 11, 12, 21, 24, 26 and 41

ENOVATION CONTROLS CORPORATE HEADQUARTERS

5311 S 122ND EAST AVENUE
TULSA, OK 74146

ENOVATION CONTROLS – SAN ANTONIO OFFICE

5757 FARINON DRIVE
SAN ANTONIO, TX 78249

ENOVATION CONTROLS – HOUSTON OFFICE

105 RANDON DYER RD
ROSENBERG, TX 77471

ENOVATION CONTROLS LTD. – UNITED KINGDOM

CHURCH ROAD LAVERSTOCK
SALISBURY SP1 1QZ UK

MURPHY ECONTROLS TECHNOLOGIES (HANGZHOU) CO, LTD.

77 23RD STREET
HANGZHOU ECONOMIC & TECHNOLOGICAL DEVELOPMENT AREA
HANGZHOU, ZHEJIANG 310018 CHINA

U.S. SALES & SUPPORT

ECONTROLS PRODUCTS

PHONE: 210 495 9772
FAX: 210 495 9791
EMAIL: INFO@ENOVATIONCONTROLS.COM
WWW.ECONTROLS.COM

MURPHY PRODUCTS

PHONE: 918 317 4100
FAX: 918 317 4266
EMAIL: SALES@ENOVATIONCONTROLS.COM
WWW.FWMURPHY.COM

MURPHY CONTROL SYSTEMS & SERVICES

PHONE: 281 633 4500
FAX: 281 633 4588
EMAIL: CSS-SOLUTIONS@ENOVATIONCONTROLS.COM

MURPHY INDUSTRIAL PANEL DIVISION

PHONE: 918 317 4100
FAX: 918 317 4124
EMAIL: IPDSALES@ENOVATIONCONTROLS.COM

INTERNATIONAL SALES & SUPPORT

UNITED KINGDOM

PHONE: +44 1722 410055
FAX: +44 1722 410088
EMAIL: SALES@ENOVATIONCONTROLS.EU
WWW.FWMURPHY.EU

CHINA

PHONE: +86 21 6237 5885
FAX: +86 21 6237 5887
EMAIL: APSALES@ENOVATIONCONTROLS.COM

LATIN AMERICA & CARIBBEAN

PHONE: 918 317 2500
EMAIL: LASALES@ENOVATIONCONTROLS.COM

SOUTH KOREA

PHONE: +82 70 7951 4100
EMAIL: SKOREASALES@ENOVATIONCONTROLS.COM

INDIA

PHONE: +91 91581 37633
EMAIL: INDIASALES@ENOVATIONCONTROLS.COM



FM 28221 (Tulsa, OK - USA)
FM 620657 (San Antonio, TX - USA)
FM 28221 (Rosenberg, TX - USA)
FM 29422 (UK)



FM 523851 (China) TS 589322 (China)