




MURPHY®

EMS PRO

ENGINE MONITORING SYSTEM

COMPACT, FLEXIBLE, ALL-IN-ONE INDUSTRIAL PUMP CONTROLLER



Perfect for Dewatering and Irrigation Applications

Pressure, Level and Float Start/
Stop Types

Backlit Graphical Display and
Alarm Indicating LEDs

Tier 4 and Stage IIIB/IV ready

Wide Operating Temperature Range

Supports Mechanical and
Electronic Engines

The EMS PRO is a rugged, all-in-one industrial controller designed for use across multiple engine lines. Driven by customer demand, the EMS PRO is flexible enough to meet the needs of engine-driven pumping equipment applications.

A dedicated, micro-processor-based single-engine controller, the EMS PRO offers field-adjustable operating parameters that can be changed without the need for a laptop computer. Able to support both mechanical and J1939 electronic engines, the EMS PRO is ideal for use with a remote modem or in a SCADA system offering Modbus RTU protocol on either the RS232 or RS485 port.

Selectable auto start/stop, many auto throttling options and manual operation all at the touch of a button are among the many performance-enhancing features of the EMS PRO via a back-lit operator interface, readable day or night.

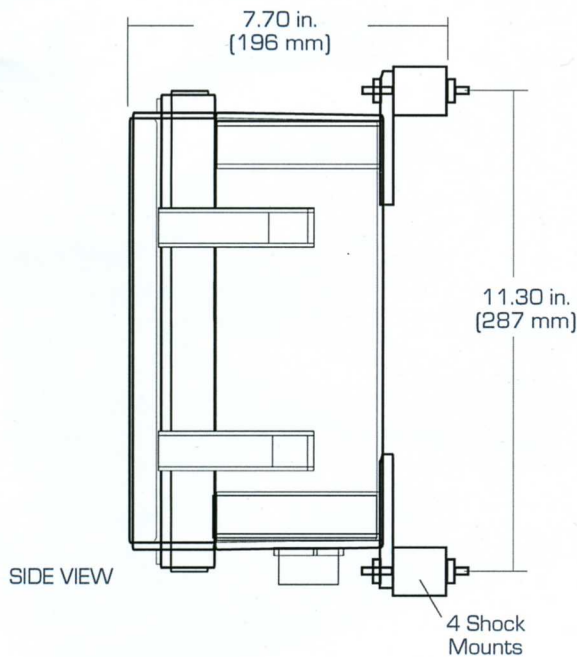
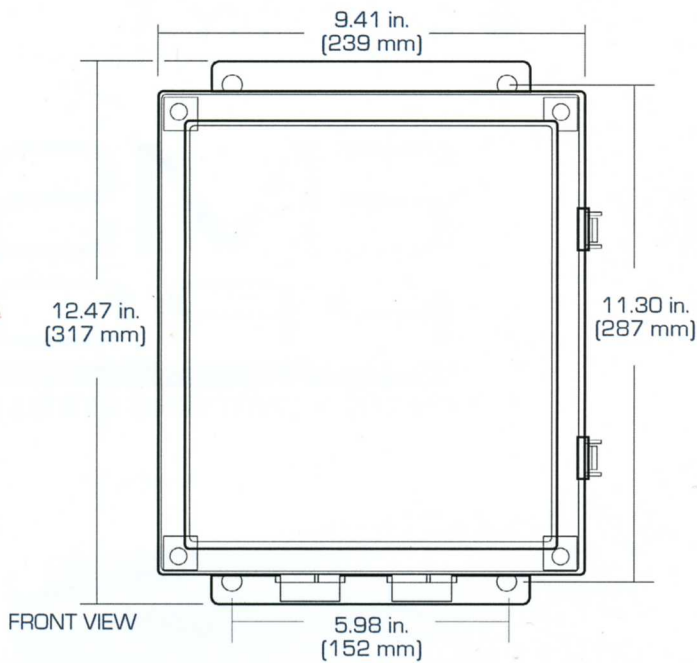


Tier 4 ready
Stage IIIB/IV



Approved for non-hazardous locations
Group safety publication IEC 61010-1

STANDARD DIMENSIONS



TECHNICAL SPECS:

- Operating Voltage: Engineered for 12 and 24VDC systems (8 VDC Minimum, 32 VDC Maximum)
- Operating Temperature and Storage Temperature: -40° to 80°C (-40° to 176°F)
- Environmental Sealing: IP66
- Relative Humidity: 95% RH @ 60°C
- Standby Current: @ 12V, 220mA; @ 24 VDC , 244mA
- LEDs: 2 - Alarm (Amber); Shutdown (Red)
- CAN Bus: SAE J1939 Compliant
- Enclosure: Polycarbonate Nema 4 (UL Listed)
- Analog Inputs: 12 designated via program; sender/ground digital, 4 - 20 mA, 0 - 5VDC
- Digital Inputs: 8 high/low
- Frequency Input: 1 optically isolated input for speed reference, magnetic pick-up
- Fuel Sender Input: 33 Ohm full, 240 Ohm empty
- Analog Output: 1 optional; 4-20mA or 4-4.6 VDC. Output pin assignment changes between two selections
- Digital Outputs: 3 FET B+ (rated at 1A tied to relay outputs)
- Relays: 1 SPDT and 8 SPST 5 AMP pilot relays
- User Interface: 8 button membrane switch
- Connectors: One 21 pin and 31 pin Deutsch HDP20 Series
- Mounting: 4 isolated 0.75 inch rubber shock mounts
- Shipping Weight: 11 Lb. (5 kg)
- Shipping Dimensions: 15 x 15 x 11 in. (381 x 381 x 279 mm)

FW MURPHY

5311 South 122nd East Avenue
Tulsa, Oklahoma 74146 USA
Phone: +1 918 317 4100 Fax: +1 918 317 4266
E-mail: sales@fwmurphy.com
Web: www.fwmurphy.com

ECONTROLS, INC

5757 Farinon Drive
San Antonio, Texas 78249 USA
Phone: +1 210 495 9772 Fax: +1 210 495 9791
E-mail: info@econtrols.com
Web: www.econtrols.com

FWM INDUSTRIAL PANEL DIVISION

5311 South 122nd East Avenue
Tulsa, Oklahoma 74146 USA
Phone: +1 918 317 4100 Fax: +1 918 317 4124
E-mail: ipdsales@fwmurphy.com
Web: www.fwmurphy.com

FRANK W. MURPHY, LTD

Church Rd Laverstock
Salisbury SP1 1QZ UK
Phone: +44 1722 410055 Fax: +44 1722 410088
E-mail: sales@fwmurphy.co.uk
Web: www.fwmurphy.co.uk

FW MURPHY INSTRUMENTS (HANGZHOU) CO. LTD

77 23rd Street
Hangzhou Economic & Technological Development Area
Hangzhou, Zhejiang 310018 China
Phone: +86 571 8788 6060 Fax: +86 571 8684 8878
E-mail: apsales@fwmurphy.com
Web: www.fwmurphy.com/company_ch

FW MURPHY (LATIN AMERICA & CARIBBEAN)

Apdo. Postal 2-06, Admon. "Lomas" Cord. Arakán 606-16
Lomas 4th Sección 78211, San Luis Potosí, S.L.P., México
Phone: +1 918 317-2500
E-mail: lasales@fwmurphy.com
Web: www.fwmurphy.com

FW MURPHY INDIA

Maharashtra State, India
Phone: +91 91581 37633
E-mail: indiasales@fwmurphy.com
Web: www.fwmurphy.com

COMPUTRONIC CONTROLS, LTD

Phone: +44 1722 410055 Fax: +44 1722 410088
E-mail: sales@computroniccontrols.com
Web: www.computroniccontrols.com



USA-ISO 9001:2008 FM 28221
UK-ISO 9001:2008 FM 29422
CHINA-ISO 9001:2008 FM 52385
Registered Facilities

