

FOR CUSTOMERS
DRAWING NO. 011-103-XX-X C

PART NO.	DIAL FACE COLORS
011-103-1X-X	BLACK BACKGROUND, WHITE CHARACTERS, WHITE ILLUMINATION
011-103-2X-X	WHITE BACKGROUND, BLACK CHARACTERS, GREEN ILLUMINATION
011-103-3X-X	BLACK BACKGROUND, WHITE CHARACTERS, RED ILLUMINATION
011-103-4X-X	BLACK BACKGROUND, WHITE CHARACTERS, GREEN ILLUMINATION

PART NO.	POINTER COLOR
011-103-XB-X	BLACK
011-103-XR-X	RED
011-103-XW-X	WHITE

PART NO.	BEZEL STYLE
011-103-XX-1	BLACK
011-103-XX-2	POLISHED
011-103-XX-3	WHITE
011-103-XX-4	BLACK, AIRCRAFT



P/N 011-103-2R-1
SCALE: 3/4



P/N 011-103-1R-1

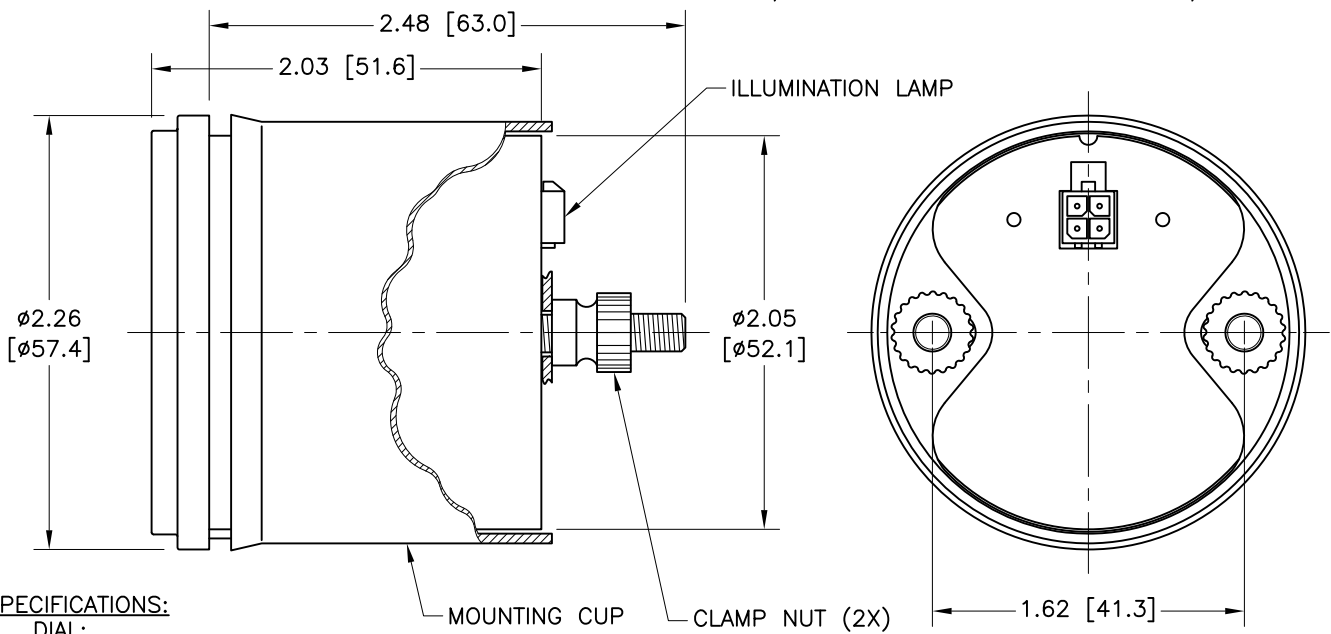
DIAL FACE COLORS
POINTER COLOR
BEZEL COLOR & STYLE



P/N 011-103-3W-1
SCALE: 3/4



P/N 011-103-4R-2
SCALE: 3/4



SPECIFICATIONS:

- DIAL:
SCALE: ARC 100° SWEEP.
RANGE: 140°F - 320°F.
- ILLUMINATION:
INTERNAL 12 VDC (24 VDC ALSO AVAILABLE).
ILLUMINATED POINTER AND L.E.D. BACKLIT DIAL.
- POINTER COLOR:
STANDARD: RED FLUORESCENT (SEE TABLE)
- MOVEMENT:
AIRCORE.

This document involves CONFIDENTIAL proprietary design rights of HEWITT IND. and all designs, manufacturing, reproduction, use and sale rights regarding same are expressly reserved. It is submitted under a confidential relationship and the recipient agrees to assume custody and control thereof and that proprietary information contained herein shall not be reproduced or transferred to other documents or disclosed to others or used for manufacturing or any other purpose without prior written permission of HEWITT IND.

REVISIONS					TOLERANCES	
REV.	DESCRIPTION	EO#	DATE	BY	UNLESS OTHERWISE SPECIFIED:	
					DIMENSIONS ARE IN INCHES, METRIC TOLERANCES ARE IN [BRACKETS]:	
					.X = .050 [1.27]	
					.XX = .030 [0.76]	
					.XXX = .010 [0.25]	
					FRACTIONS = 1/32	
					ANGLES = ±1°	
					SCALE: 1/1	

HI HEWITT INDUSTRIES OF LOS ANGELES

TITLE: 2" TRANSMISSION OIL TEMPERATURE GAUGE

DRAWN BY: JAG PART NO. 011-103-XX-X

APPR. BY: SHEET 1 OF 1

DATE: 02/28/12

E