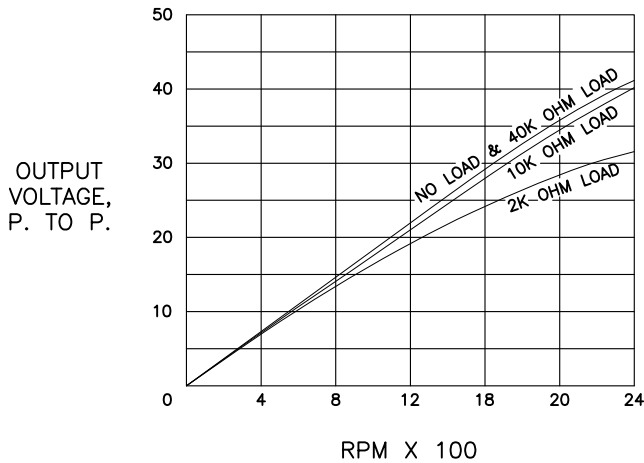


PART NO.	DRIVE SIZE	"T" THREAD SIZE
023-200-A	.104 SQUARE	7/8-18
023-200-B	.150 SQUARE	7/8-18
023-200-C	.187 SQUARE	7/8-18
023-200-D	.152 ROUND	7/8-18
023-200-E	.187 ROUND	7/8-18
023-200-F	.203 ROUND	7/8-18
023-200-G	DIN	22MM X 1.5
023-200-H	.187 ROUND	22MM X 1.5

TO COIL #1 [YELLOW 14" [356mm]
RED 12" [305mm]

TO COIL #2 [BLACK/RED 8" [203mm]
BLACK 10" [254mm]

This document involves CONFIDENTIAL proprietary design rights of HEWITT IND. and all designs, manufacturing, reproduction, use and sale rights regarding same are expressly reserved. It is submitted under a confidential relationship and the recipient agrees to assume custody and control thereof and that proprietary information contained herein shall not be reproduced or transferred to other documents or disclosed to others or used for manufacturing or any other purpose without prior written permission of HEWITT IND.

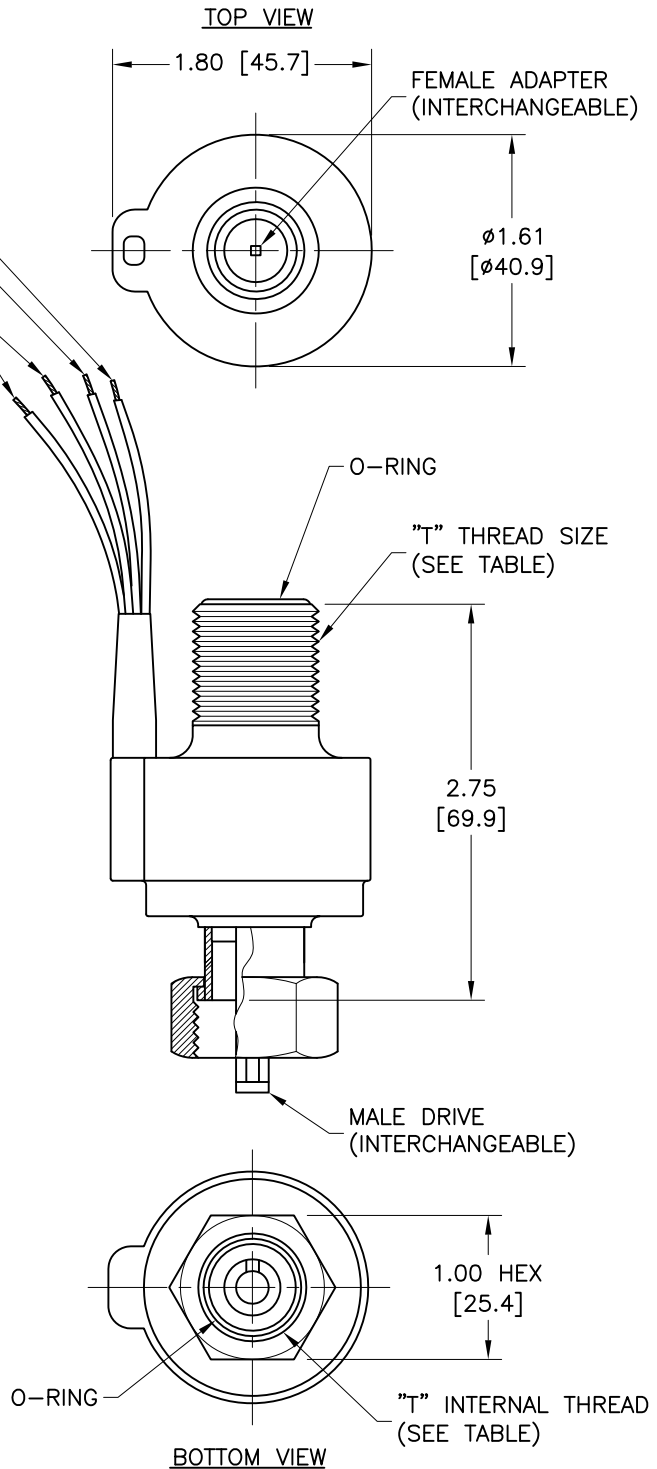


SPECIFICATIONS:

1. FREQUENCY: 8 PULSES PER REV.
2. DC SOURCE IMPEDANCE: 160 ±10 OHMS
3. HOUSING MATERIAL: GLASS-FILLED NYLON
4. BEARING: DOUBLE-OILITE
5. LEAD WIRES: 20 AWG., 19 STRAND

NOTES:

1. SINGLE OUTPUT GENERATOR ALSO AVAILABLE.
2. SPECIAL LENGTHS AND CONNECTORS AVAILABLE.
3. AVAILABLE IN DIN, M22 X 1.5 METRIC THREAD.



REVISIONS					TOLERANCES	
REV.	DESCRIPTION	EO#	DATE	BY	UNLESS OTHERWISE SPECIFIED:	
					DIMENSIONS ARE IN INCHES, METRIC EQUIVALENTS ARE IN [BRACKETS]:	
					.X = .030 [0.76]	
					.XX = .010 [0.25]	
					.XXX = .005 [0.13]	
					FRACTIONS = 1/32	
					ANGLES = ±1°	
					SCALE: 3/4	



TITLE: SIGNAL GENERATOR	
DRAWN BY: JAG	PART NO. 023-200-X
APPR. BY: DW	SHEET 1 OF 1
DATE: 05/24/11	

A