

PART NO.	DIAL FACE COLORS
010-211-1X-X	BLACK BACKGROUND, WHITE CHARACTERS, WHITE ILLUMINATION
010-211-2X-X	WHITE BACKGROUND, BLACK CHARACTERS, GREEN ILLUMINATION
010-211-3X-X	BLACK BACKGROUND, WHITE CHARACTERS, RED ILLUMINATION
010-211-4X-X	BLACK BACKGROUND, WHITE CHARACTERS, GREEN ILLUMINATION

PART NO.	POINTER COLOR
010-211-XB-X	BLACK
010-211-XR-X	RED
010-211-XW-X	WHITE

PART NO.	BEZEL STYLE
010-211-XX-1	BLACK
010-211-XX-2	POLISHED
010-211-XX-3	WHITE
010-211-XX-4	BLACK, AIRCRAFT

010-211-XX-X

DIAL FACE COLORS
POINTER COLOR
BEZEL COLOR & STYLE



P/N 010-211-2R-1
SCALE: 3/4

LIGHT ON



P/N 010-211-4R-2
SCALE: 3/4

LIGHT ON

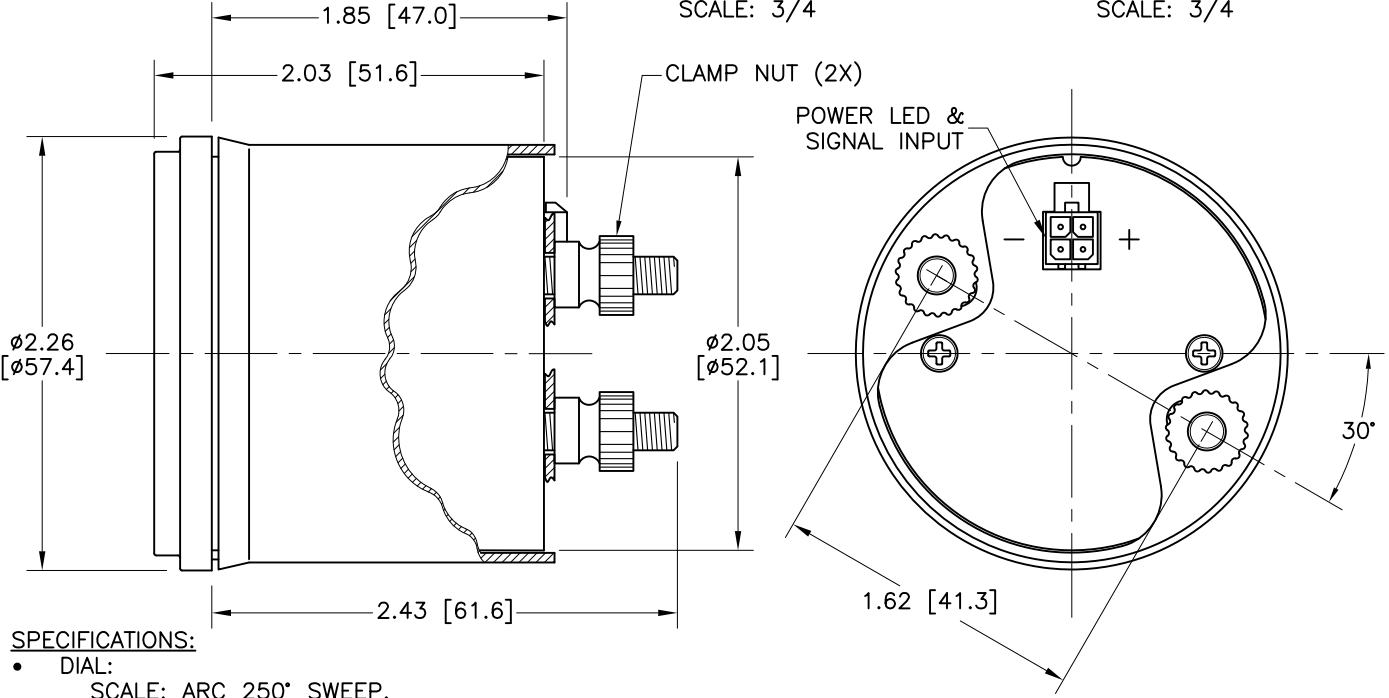


P/N 010-211-3W-1
SCALE: 3/4

LIGHT ON



P/N 010-211-1R-1



SPECIFICATIONS:

- DIAL:
SCALE: ARC 250° SWEEP.
RANGE: 0°F - 2000°F.
- ILLUMINATION:
INTERNAL 12 VDC (24 VDC ALSO AVAILABLE).
ILLUMINATED POINTER AND L.E.D. BACKLIT DIAL.
- POINTER COLOR:
STANDARD: RED FLUORESCENT (SEE TABLE).

This document involves CONFIDENTIAL proprietary design rights of HEWITT IND. and all designs, manufacturing, reproduction, use and sale rights regarding same are expressly reserved. It is submitted under a confidential relationship and the recipient agrees to assume custody and control thereof and that proprietary information contained herein shall not be reproduced or transferred to other documents or disclosed to others or used for manufacturing or any other purpose without prior written permission of HEWITT IND.

REVISIONS					TOLERANCES		HEWITT INDUSTRIES OF LOS ANGELES	
REV.	DESCRIPTION	EO#	DATE	BY	UNLESS OTHERWISE SPECIFIED:		TITLE:	
					DIMENSIONS ARE IN INCHES, METRIC TOLERANCES ARE IN [BRACKETS]:		2" PYROMETER GAUGE	
					.X = .050 [1.27]		DRAWN BY: JAG	
					.XX = .030 [0.76]		PART NO. 010-211-XX-X	
					.XXX = .010 [0.25]		APPR. BY:	
					FRACTIONS = 1/32		DATE: 02/28/12	
					ANGLES = ±1°		SHEET 1 OF 1	
					SCALE: 1/1			

D