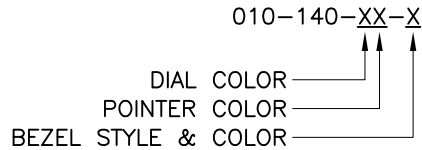


PART NO. 010-140-XX-X C

PART NUMBER	DIAL COLOR
010-140-1X-X	BLACK BACKGROUND, WHITE CHARACTERS

PART NUMBER	POINTER COLOR
010-140-XB-X	BLACK
010-140-XR-X	RED
010-140-XW-X	WHITE

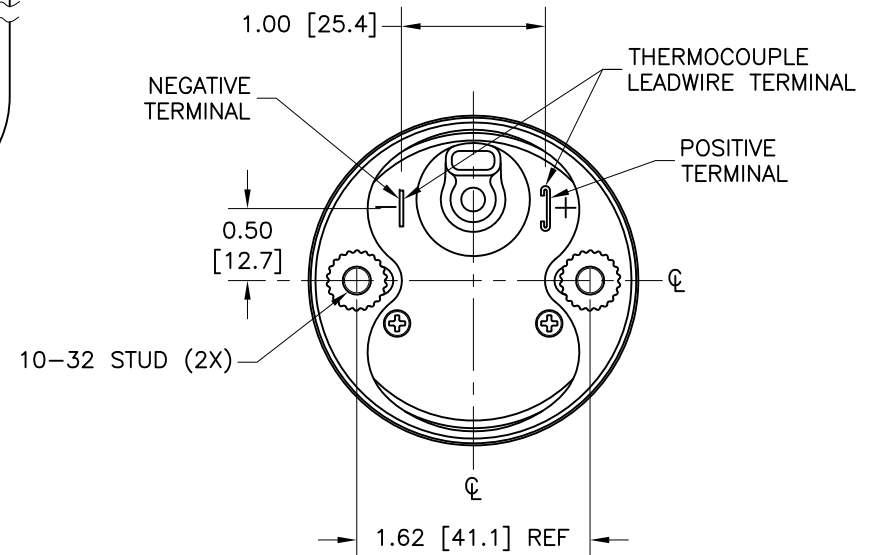
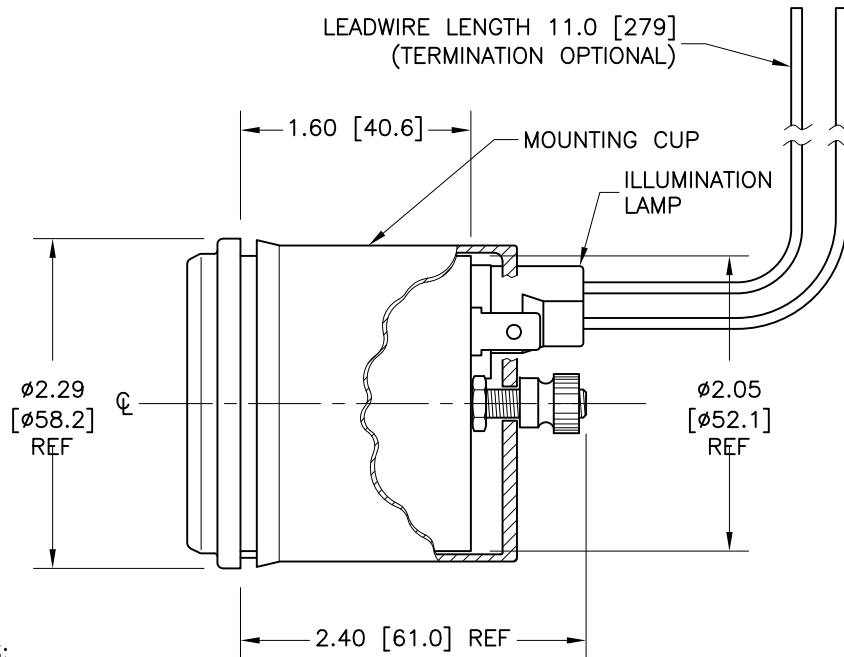
PART NUMBER	BEZEL STYLE
010-140-XX-1	FLAT BLACK
010-140-XX-2	FLAT POLISHED
010-140-XX-3	FLAT WHITE
010-140-XX-4	HIGH-TOP, BLACK
010-140-XX-5	AIRCRAFT, BLACK
010-140-XX-6	PLATINUM
010-140-XX-7	ALUMINUM, BLACK



This document involves CONFIDENTIAL proprietary design rights of HEWITT IND. and all designs, manufacturing, reproduction, use and sale rights regarding same are expressly reserved. It is submitted under a confidential relationship and the recipient agrees to assume custody and control thereof and that proprietary information contained herein shall not be reproduced or transferred to other documents or disclosed to others or used for manufacturing or any other purpose without prior written permission of HEWITT IND.



P/N 010-140-1R-1  
SCALE: 1/1



**SPECIFICATIONS:**

- DIAL: 2"  
SCALE: 100° ARC SWEEP.  
RANGE: 0°F - 600°F, 0°C - 300°C.
- ILLUMINATION:  
INTERNAL 12 VDC OR 24 VDC.
- POINTER COLOR:  
SEE TABLE.
- ACCURACY:  
FULL SCALE: 2%, 2/3 SCALE: 1%.
- CALIBRATION:  
TYPE "E", FIVE OHMS EXTERNAL RESISTANCE.

B

REVISIONS					TOLERANCES		HEWITT INDUSTRIES OF LOS ANGELES	
REV.	DESCRIPTION	EO#	DATE	BY	UNLESS OTHERWISE SPECIFIED:		TITLE:	
					DIMENSIONS ARE IN INCHES, METRIC EQUIVALENTS ARE IN [BRACKETS]:		2" CYLINDER HEAD TEMPERATURE GAUGE	
					.X = .050 [1.27]		DRAWN BY: JAG	
					.XX = .030 [0.76]		PART NO. 010-140-XX-X	
					.XXX = .010 [0.25]		APPR. BY: LM	
					FRACTIONS = 1/32		DATE: 07/29/14	
					ANGLES = ±1°		SHEET 1 OF 1	
					SCALE: 3/4			