

PART NO.	DIAL FACE COLORS
100-101-1X-X	BLACK BACKGROUND, WHITE CHARACTERS, WHITE ILLUMINATION
100-101-2X-X	WHITE BACKGROUND, BLACK CHARACTERS, GREEN ILLUMINATION
100-101-3X-X	BLACK BACKGROUND, WHITE CHARACTERS, RED ILLUMINATION
100-101-4X-X	BLACK BACKGROUND, WHITE CHARACTERS, GREEN ILLUMINATION

PART NO.	POINTER COLOR
100-101-XB-X	BLACK
100-101-XR-X	RED
100-101-XW-X	WHITE

PART NO.	BEZEL STYLE
100-101-XX-1	BLACK
100-101-XX-2	POLISHED
100-101-XX-3	WHITE
100-101-XX-4	BLACK, AIRCRAFT

100-101-XX-X

DIAL FACE COLORS
POINTER COLOR
BEZEL COLOR & STYLE



P/N 100-101-2R-1
SCALE: 3/4



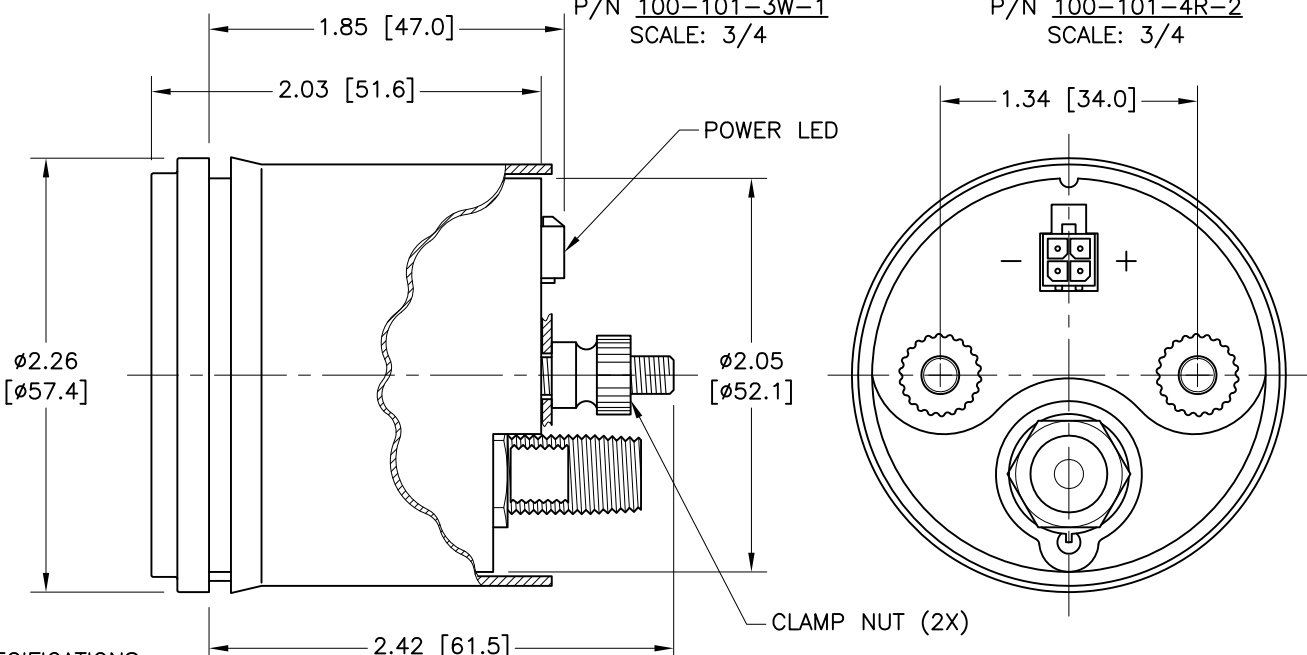
P/N 100-101-1R-1



P/N 100-101-3W-1
SCALE: 3/4



P/N 100-101-4R-2
SCALE: 3/4



SPECIFICATIONS:

- DIAL:
SCALE: 270° ARC SWEEP.
RANGE: 0 - 30 PSI.
- ILLUMINATION:
INTERNAL 12 VDC (24 VDC ALSO AVAILABLE).
ILLUMINATED POINTER AND L.E.D. BACKLIT DIAL.
- POINTER COLOR:
STANDARD: RED FLUORESCENT (SEE TABLE).

This document involves CONFIDENTIAL proprietary design rights of HEWITT IND. and all designs, manufacturing, reproduction, use and sale rights regarding same are expressly reserved. It is submitted under a confidential relationship and the recipient agrees to assume custody and control thereof and that proprietary information contained herein shall not be reproduced or transferred to other documents or disclosed to others or used for manufacturing or any other purpose without prior written permission of HEWITT IND.

REVISIONS					TOLERANCES	
REV.	DESCRIPTION	EO#	DATE	BY	UNLESS OTHERWISE SPECIFIED:	
					DIMENSIONS ARE IN INCHES, METRIC TOLERANCES ARE IN [BRACKETS]:	
					.X = .050 [1.27]	
					.XX = .030 [0.76]	
					.XXX = .010 [0.25]	
					FRACTIONS = 1/32	
					ANGLES = ±1°	
					SCALE: 1/1	

HI HEWITT INDUSTRIES OF LOS ANGELES

TITLE: 2" FUEL PRESSURE GAUGE

DRAWN BY: JAG PART NO. 100-101-XX-X

APPR. BY: SHEET 1 OF 1

DATE: 02/27/12

A