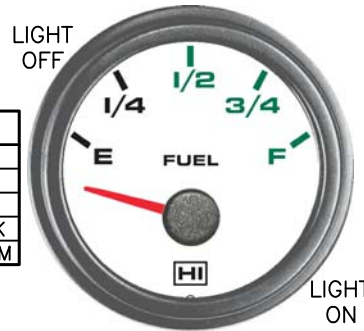


PART NO.	DIAL FACE COLORS
120-10F-1X-X	BLACK BACKGROUND, WHITE CHARACTERS, WHITE ILLUMINATION
120-10F-2X-X	WHITE BACKGROUND, BLACK CHARACTERS, GREEN ILLUMINATION
120-10F-3X-X	BLACK BACKGROUND, WHITE CHARACTERS, RED ILLUMINATION
120-10F-4X-X	BLACK BACKGROUND, WHITE CHARACTERS, GREEN ILLUMINATION
120-10F-5X-X	BLACK BACKGROUND, WHITE CHARACTERS, BLUE ILLUMINATION

PART NO.	POINTER COLOR
120-10F-XB-X	BLACK
120-10F-XR-X	RED
120-10F-XW-X	WHITE

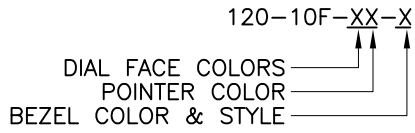
PART NO.	BEZEL STYLE
120-10F-XX-1	FLAT BLACK
120-10F-XX-2	FLAT POLISHED
120-10F-XX-3	FLAT WHITE
120-10F-XX-4	AIRCRAFT (SQ), BLACK
120-10F-XX-7	FLAT BLACK ALLUMINUM



P/N 120-10F-2R-1  
SCALE: 3/4



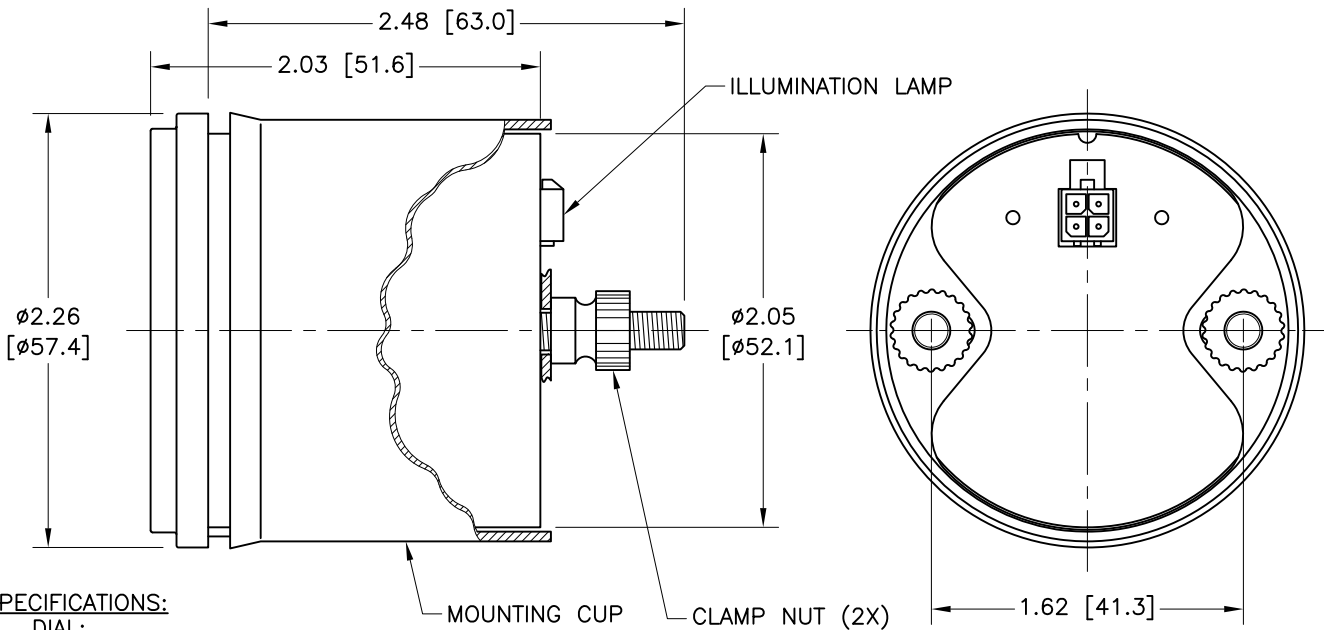
P/N 120-10F-1R-1



P/N 120-10F-3W-1  
SCALE: 3/4



P/N 120-10F-4R-2  
SCALE: 3/4



**SPECIFICATIONS:**

- DIAL:  
SCALE: 100° ARC SWEEP.  
RANGE: EMPTY - FULL.
- ILLUMINATION:  
INTERNAL 12 VDC (24 VDC ALSO AVAILABLE).  
ILLUMINATED POINTER AND L.E.D. BACKLIT DIAL.
- POINTER COLOR:  
STANDARD: RED FLUORESCENT (SEE TABLE)

This document involves CONFIDENTIAL proprietary design rights of HEWITT IND. and all designs, manufacturing, reproduction, use and sale rights regarding same are expressly reserved. It is submitted under a confidential relationship and the recipient agrees to assume custody and control thereof and that proprietary information contained herein shall not be reproduced or transferred to other documents or disclosed to others or used for manufacturing or any other purpose without prior written permission of HEWITT IND.

REVISIONS					TOLERANCES	
REV.	DESCRIPTION	EO#	DATE	BY	UNLESS OTHERWISE SPECIFIED:	
					DIMENSIONS ARE IN INCHES, METRIC TOLERANCES ARE IN [BRACKETS]:	
					.X = .050 [1.27]	
					.XX = .030 [0.76]	
					.XXX = .010 [0.25]	
					FRACTIONS = 1/32	
					ANGLES = ±1°	
					SCALE: 1/1	



TITLE: <b>2" FUEL LEVEL GAUGE</b>	
DRAWN BY: JAG	PART NO. 120-10F-XX-X
APPR. BY:	SHEET 1 OF 1
DATE: 02/25/13	

A